

### Description & Features:

- Highly accurate reading of low pressures
- Brass or stainless steel wetted parts
- Ranges from 15" H<sub>2</sub>O/oz to +10 psi
- CRN registered
- 5 year warranty

### Applications:

- Suitable for measuring gaseous media both corrosive and non-corrosive
- Used to measure natural gas pressure as well as air flow indications and leak detection
- Vacuum pumps, air compressors, air filters, gas burners, vacuum ovens, suction regulators and respirators

Specifications	Stainless Steel Internals	Brass Internals
<b>Dial</b>	2.5" (63mm), 4" (100mm), 4.5" (115mm) and 6" (150mm), white aluminum dial with black and red markings	2.5" (63mm), 4" (100mm), 4.5" (115mm) and 6" (150mm), white aluminum dial with black and red markings
<b>Case</b>	2.5" (63mm), 4" (100mm): AISI 304 SS 4.5" (115mm), 6" (150mm): Aluminum, painted black	2.5" (63mm), 4" (100mm): Steel, painted black 4.5" (115mm), 6" (150mm): Cast aluminum, painted black
<b>Lens</b>	2.5" (63mm), 4" (100mm): Polycarbonate 4.5" (115mm), 6" (150mm): Glass	2.5" (63mm), 4" (100mm): Polycarbonate 4.5" (115mm), 6" (150mm): Glass
<b>Ring</b>	2.5" (63mm), 4" (100mm): Steel 4.5" (115mm), 6" (150mm): Aluminum	2.5" (63mm), 4" (100mm): Steel 4.5" (115mm), 6" (150mm): Aluminum
<b>Socket</b>	AISI 316 SS	Brass
<b>Connection</b>	1/4" NPT standard	1/4" NPT standard
<b>Diaphragm Element</b>	AISI 316 SS	Phosphor bronze
<b>Movement</b>	AISI 316 SS	2.5" (63mm): Engineering plastic upper and lower plate with brass pinion and sector; 4" (100mm), 4.5" (115mm), 6" (150mm): Brass
<b>Pointer</b>	Aluminum, anodized black	Aluminum, anodized black
<b>Welding</b>	TIG	Solder/brazed
<b>Working Pressure</b>	75% of full scale value	60% of full scale value (fluctuating) 75% of full scale value (static)
<b>Over-Pressure Limit</b>	30% of full scale value	30% of full scale value
<b>Ambient/Process Temperature</b>	-40°F to 150°F (-40°C to 65°C)	-40°F to 150°F (-40°C to 65°C)
<b>Accuracy</b>	±1.6% FS	2.5", 4" (100mm), 4.5" (115mm), 6" (150mm): ±3-2-3% ANSI/ASME Grade B
<b>Enclosure Rating</b>	IP52	IP52

### Order Codes (products in bold are normally in stock)

Dial Size	2.5" (63mm)			4" (100mm)				4.5" (115mm)			
Case Material	Steel		SS	Steel	SS	Steel		Aluminum		Aluminum	
Connection	1/4" Bottom	1/4" Centre Back	1/4" Bottom	1/4" Bottom		1/4" Centre Back		1/4" Bottom		1/4" Centre Back	
Movement, Socket, Capsule	Brass	Brass	SS	Brass	SS	Brass	SS	Brass	SS	Brass	SS
0/15" water/vac	<b>PLP300V</b>	PLP340V	PLP350V	PLP310V	PLP4200V	PLP4230V	PLP4240V	PLP4250V	PLP4260V	PLP4290V	PLP4300V
0/32" water/vac	<b>PLP301V</b>	<b>PLP341V</b>	PLP351V	PLP311V	PLP4201V	PLP4231V	PLP4241V	PLP4251V	PLP4261V	PLP4291V	PLP4301V
0/55" water/vac	<b>PLP302V</b>	PLP342V	PLP352V	PLP312V	PLP4202V	PLP4232V	PLP4242V	PLP4252V	PLP4262V	PLP4292V	PLP4302V
0/100" water/vac	<b>PLP304V</b>	<b>PLP343V</b>	PLP353V	PLP313V	PLP4203V	PLP4233V	PLP4243V	PLP4253V	PLP4263V	PLP4293V	PLP4303V
0/200" water/vac	<b>PLP303V</b>	-	PLP356V	-	-	-	-	-	-	-	-
0/15" water/oz	<b>PLP300</b>	PLP340	PLP350	PLP310	PLP4200	PLP4230	PLP4240	PLP4250	PLP4260	PLP4290	PLP4300
0/32" water/oz	<b>PLP301</b>	<b>PLP341</b>	<b>PLP351</b>	<b>PLP311</b>	<b>PLP4201</b>	PLP4231	PLP4241	PLP4251	PLP4261	PLP4291	PLP4301
0/55" water/oz	<b>PLP302</b>	<b>PLP342</b>	PLP352	PLP312	PLP4202	PLP4232	PLP4242	PLP4252	PLP4262	PLP4292	PLP4302
0/100" water/oz	<b>PLP304</b>	PLP343	PLP353	PLP313	PLP4203	PLP4233	PLP4243	PLP4253	PLP4263	PLP4293	PLP4303
0/200" water/oz	<b>PLP303</b>	PLP346	PLP356	PLP316	PLP4206	PLP4236	PLP4246	PLP4256	PLP4266	PLP4296	PLP4306
0/5 psi/kPa	<b>PLP305</b>	<b>PLP344</b>	<b>PLP354</b>	<b>PLP314</b>	PLP4204	PLP4234	PLP4244	PLP4254	PLP4264	PLP4294	PLP4304
0/10 psi/kPa	<b>PLP306</b>	<b>PLP345</b>	PLP355	<b>PLP315</b>	PLP4205	PLP4235	PLP4245	PLP4255	PLP4265	PLP4295	PLP4305

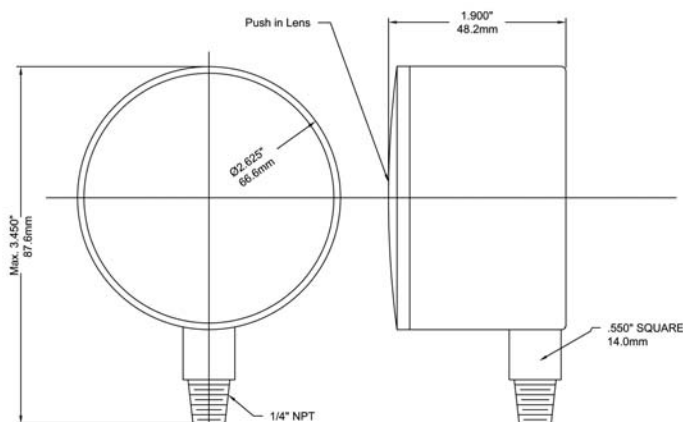
Dial Size	6" (150mm)			
Case Material	Aluminum		Aluminum	
Connection	Bottom 1/4"		Centre Back 1/4"	
Movement, Socket, Capsule	Brass	SS	Brass	SS
0/15" water/vac	PLP4310V	PLP4320V	-	-
0/32" water/vac	PLP4311V	PLP4321V	-	-
0/55" water/vac	PLP4312V	PLP4322V	-	-
0/100" water/vac	PLP4313V	PLP4323V	-	-
0/200" water/vac	-	-	-	-
0/15" water/oz	PLP4310	PLP4320	-	PLP4360
0/32" water/oz	PLP4311	PLP4321	PLP4351	PLP4361
0/55" water/oz	PLP4312	PLP4322	-	-
0/100" water/oz	PLP4313	PLP4323	PLP4353	PLP4363
0/200" water/oz	PLP4316	PLP4326	-	-
0/5 psi/kPa	PLP4314	PLP4324	PLP4354	PLP4364
0/10 psi/kPa	PLP4315	PLP4325	PLP4355	PLP4365

Other ranges and connection sizes available upon request. For scale change, refer to How to Order Guide for scale codes. **For options, attach suffix to end of order code: i.e. PLP340-UC for U-CLAMP.**

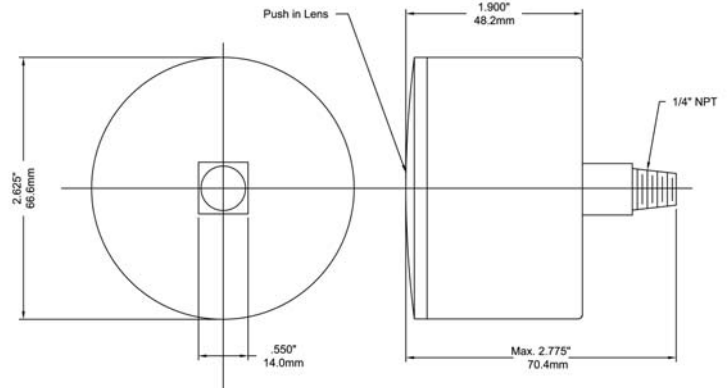
#### Option suffix:

- 45Phenolic = Phenolic case on 4.5" SS
- LPBF = Back flange (all sizes except 2.5")
- LPFF = 4.5"(115mm) Front flange
- LPFF6 = 6" (150mm) Front flange
- UC = 2.5"(63mm) U-Clamp

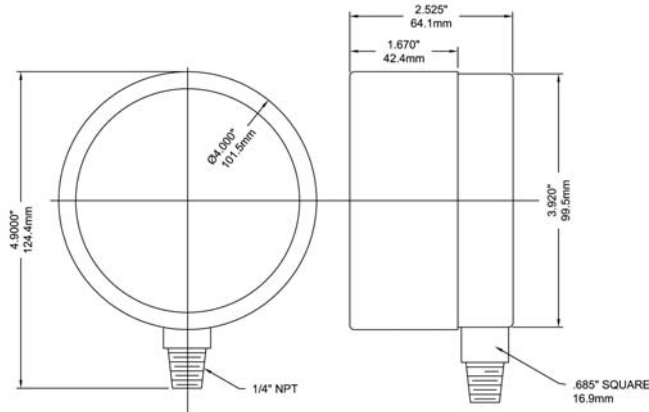
#### 2.5" Bottom Connection Brass



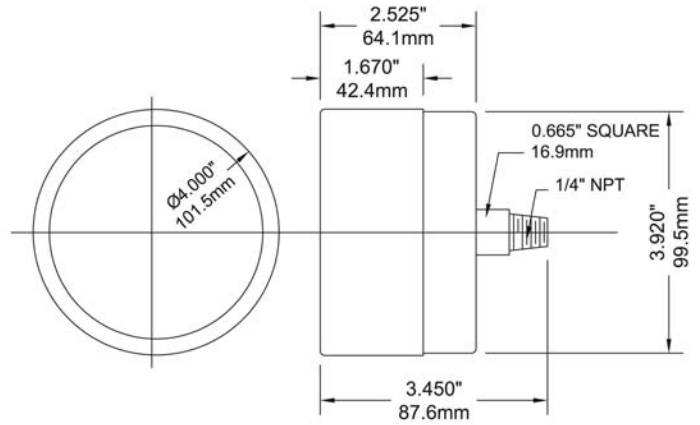
#### 2.5" Back Connection Brass



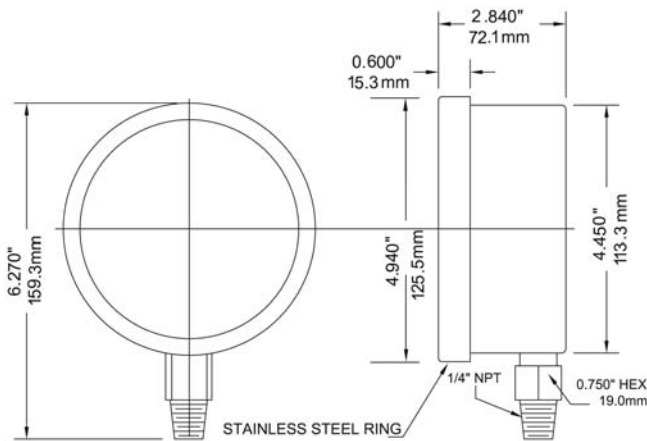
**4" Bottom Connection Brass**



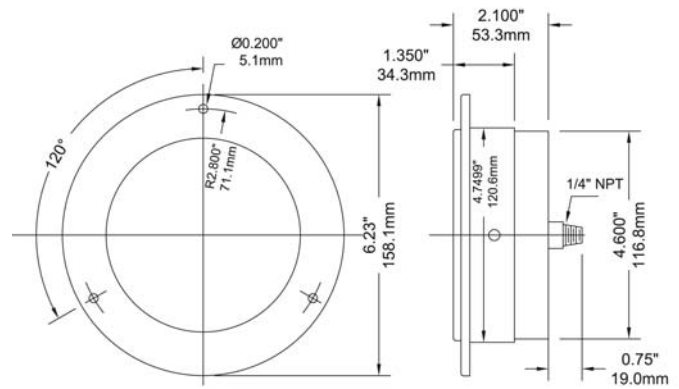
**4" Back Connection Brass**



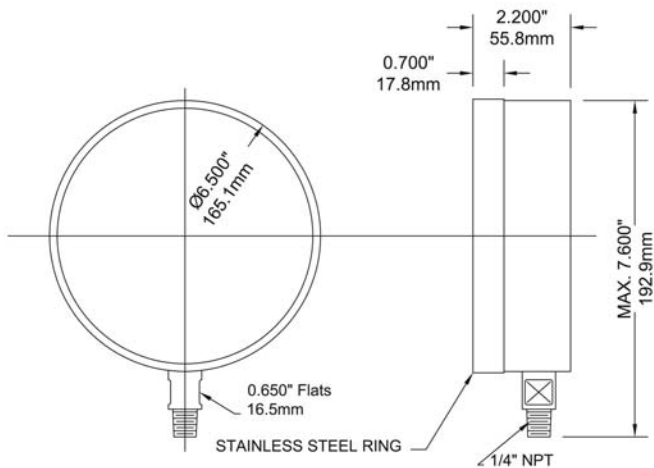
**4.5" Bottom Connection Stainless Steel**



**4.5" Back Connection Stainless Steel with Front Flange**



**6" Bottom Connection Stainless Steel**



**6" Back Connection Stainless Steel**

