



**SECURITY
OR SAFETY**
controllers & more

POWER SUPPLY

DPS series
TPS series



AC-DC Power supply
DPS series



AC-DC Power supply
TPS series

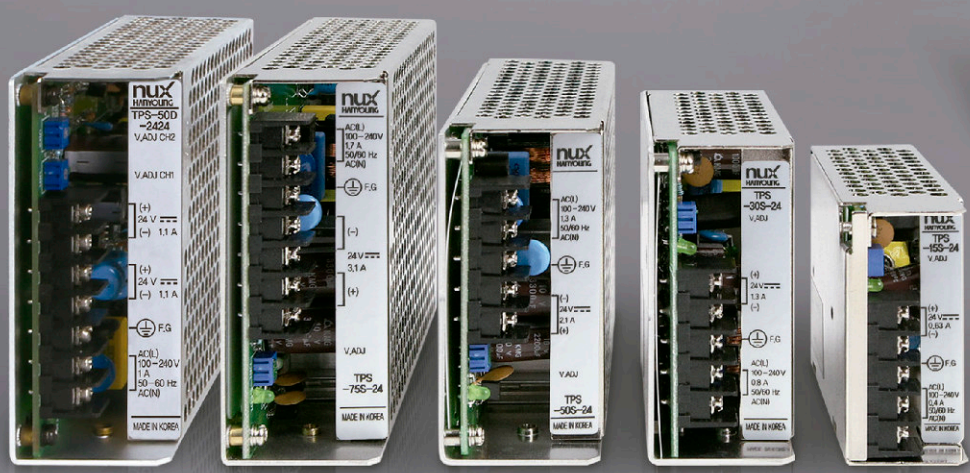














Table of contents




» DPS series

Model	DPS-15S	DPS-30S	DPS-50S	DPS-75S
Appearance				
Dimension (mm)	25 X 90 X 103	40 X 90 X 103	40 X 90 X 103	56 X 124 X 97.8
Power output	15 W	30 W	50 W	75 W
Input voltage	100 - 240 V AC (※ Designed voltage range : 85 - 264 V AC)			
Output voltage	5 V, 12 V, 15 V, 24 V			12 V, 24 V, 48 V
Voltage fluctuation range	±5 ~ 10 % (Varies due to the internal VR)			
Protective circuit	Over voltage, Over current, Over heat, Short circuit			
Dielectric strength	2,700 V AC for 1 minute (Between the input terminal and output terminal)			
Insulation resistance	100 MΩ min, 500 V DC (Between the input terminal and output terminal)			

Model	DPS-100S	DPS-120S	DPS-180S	DPS-240S
Appearance				
Dimension (mm)	56 X 124 X 97.8	66 X 124 X 97.8	66 X 124 X 97.8	125.5 X 124 X 97.8
Power output	100 W	120 W	180 W	240 W (※ 단, DPS-240S-12 : 216 W 임)
Input voltage	100 - 240 V AC (85 - 264 V AC)	100 - 120 V AC / 200 - 240 V AC ※ Auto-select input		
Output voltage	12 V, 24 V, 48 V		24 V, 48 V	12 V, 24 V, 48 V
Voltage fluctuation range	±5 ~ 10 % (Varies due to the internal VR)			
Protective circuit	Over voltage, Over current, Over heat, Short circuit			
Dielectric strength	2,700 V AC for 1 minute (Between the input terminal and output terminal)			
Insulation resistance	100 MΩ min, 500 V DC (Between the input terminal and output terminal)			

» TPS series

Model	TPS-15S	TPS-30S	TPS-50S	TPS-75S
Appearance				
Dimension (mm)	64.1 X 97.5 X 32	79 X 98 X 37	83 X 125 X 39.8	96 X 135 X 40.2
Power output	15 W	30 W	50 W	75 W
Input voltage	88 - 264 V AC 50 - 60 Hz (※ Included the percentage of voltage fluctuation.)			
Output voltage	5 V, 12 V, 15 V, 24 V			
Voltage fluctuation range	±5 ~ ±10 % (Varies due to the internal VR)			
Protective circuit	Over voltage, Over heat, Short circuit	Over voltage, Over current, Over heat, Short circuit		
Dielectric strength	2,700 V AC for 1 minute (Between the input terminal and output terminal)			
Insulation resistance	100 MΩ min, 500 V DC (Between the input terminal and output terminal)			

Model	TPS-100S	TPS-150S	TPS-220S
Appearance			
Dimension (mm)	93 X 199 X 50	93 X 209 X 65	93 X 209 X 65
Power output	100 W	150 W	220 W
Input voltage	88 - 264 V AC 50 - 60 Hz (※ Included the percentage of voltage fluctuation.)		
Output voltage	5 V, 12 V, 15 V, 24 V		12 V, 15 V, 24 V
Voltage fluctuation range	±5 ~ ±10 % (Varies due to the internal VR)		
Over current protection	110 ~ 250 % of output rated current [depending on the specification]		
Over voltage protection	Protection function at 110 ~ 140% of output current		
Dielectric strength	2,700 V AC for 1 minute (Between the input terminal and output terminal)		
Insulation resistance	100 MΩ min, 500 V DC (Between the input terminal and output terminal)		

AC-DC Power supply

DPS series



» Feature

- 35 mm width of DIN Rail Installation method
- Low output voltage fluctuation rate
- Low heating due to high efficiency
- DC OK Signal Relay Output Built-in
- Protection function for overcurrent, overvoltage, and overheating
- Various products from 15 W to 240 W
- Output ON Pilot Lamp (LED)
- Input voltage: 100 – 240 V Free Voltage or automatic selection of 110/220V



» Suffix code

Model	Code	Description
DPS-	<input type="checkbox"/> <input type="checkbox"/> <input type="checkbox"/>	DPS Power supply (DIN Rail Type)
Power output	15	15 W
	30	30 W
	50	50 W
	75	75 W
	100	100 W
	120	120 W
	180	180 W
	240	240 W (※ Only DPS-240S-12 : 216 W)
Number of output voltage	S	1 Output (Single output)
Output voltage classification	05	5 V DC (DPS-75S, DPS-100S, DPS-120S, DPS-180S, DPS-240S Exclude)
	12	12 V DC (DPS-180S Exclude)
	15	15 V DC (DPS-75S, DPS-100S, DPS-120S, DPS-180S, DPS-240S Exclude)
	24	24 V DC
	48	48 V DC (DPS-15S, DPS-30S, DPS-50S Exclude)

15 Watt

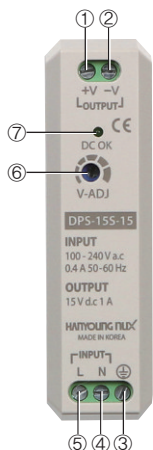
(5 V, 12 V, 15 V, 24 V DC)

DPS series

» Specification

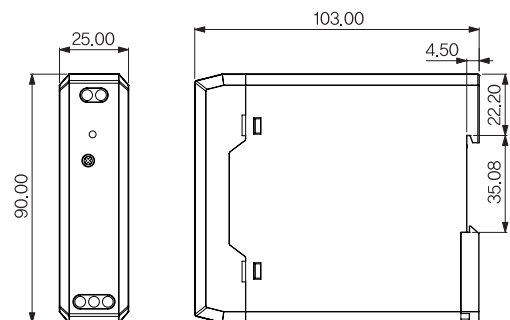
Model		DPS-15S-05	DPS-15S-12	DPS-15S-15	DPS-15S-24	
Output	Rated output voltage	5 V	12 V	15 V	24 V	
	Rated output current	3 A	1.2 A	1 A	0.63 A	
	Rated power output	15 W				
	Peak current	3.6 A	1.44 A	1.2 A	0.75 A	
	Circuit voltage fluctuation rate	±0.5 %	±0.5 %	±0.5 %	±0.5 %	
	Load voltage fluctuation rate	±1 %	±1 %	±1 %	±1 %	
	Ripple	80 mV p-p max	120 mV p-p max	120 mV p-p max	150 mV p-p max	
	Ambient temperature fluctuation	±1 %	±1 %	±1 %	±1 %	
	Running time	200 ms max (110 V AC, I _o =100 %)				
	Remaining time	10 ms min (110 V AC, I _o =100 %)				
	Voltage fluctuation range	4.6 - 5.3 V	11.2 - 13.7 V	13.6 - 16.1 V	22.6 - 27.6 V	
	Voltage setting range	±1 % max (Rated output voltage)				
Input	Input voltage	100 - 240 V AC (※ Designed voltage range : 85 - 264 V AC)				
	Input frequency	50 - 60 Hz (47 - 63 Hz)				
	Current (A)	110 V AC	0.3	0.3	0.3	0.3
		220 V AC	0.16	0.16	0.16	0.16
	Efficiency	220 V AC	76 %	81 %	82 %	86 %
	Inrush current	110 V AC	20 A Typ. (T _a =25 °C, I _o =100 % at Cold start)			
		220 V AC	40 A Typ. (T _a =25 °C, I _o =100 % at Cold start)			
Leakage current	110 V AC	0.35 mA max				
	220 V AC	0.75 mA max				
Protection function	Over current protection	Protective function performed within 110 ~ 200 % of the rated output current				
	Over voltage protection	6.8 - 7.9 V	14.5 - 17.2 V	17.5 - 20.5 V	30 - 36 V	
	Overheating protection	Protection circuit is in operation when PWM controller's junction temperature is over 135~140°C.				
	Protection of output short	Auto Re-start				
	DC OK Signal	Green LED (ON when output voltage is normal)				
ETC	Dielectric strength	2,700 V AC for 1 min, Detection current = 10 mA, (Input - Output)				
		1,500 V AC for 1 min, Detection current = 10 mA, (Input - FG)				
		500 V AC for 1 min, Detection current = 10 mA, (Output - FG)				
		500 V AC for 1 min, Detection current = 10 mA, (Output - DC OK)				
Insulation resistance	50 MΩ min. (Input - Output, FG), (Output - FG, DC OK)					
Environment	Ambient temperature	- 25 ~ +50 °C (Refer to the derating curve of output load)				
	Ambient humidity	20 ~ 90 % RH (With no condensation)				
	Storage temperature	- 40 ~ +85 °C (With no condensation)				
	Vibration resistance	10 - 55 Hz, peak amplitude 0.375 mm, 2 hours for each of 3 directions [DIN Rail is installed without applying voltage]				
	Shock resistance	150 %, 3 times for each of 6 directions . [State of packing]				
	Weight	150 g	144 g	144 g	140 g	

» Connection diagram



Terminal number	Terminal name	Description
①	+V OUT	DC output terminal
②	-V OUT	
③	⊕	FG
④	AC(N)	AC Input terminal
⑤	AC(L)	
⑥	V-ADJ	Output voltage variable volume
⑦	DC OK	Output indication LED

» Dimension (Unit : mm)



30 Watt

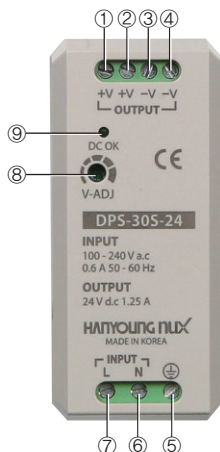
(5 V, 12 V, 15 V, 24 V DC)

DPS series

» Specification

Model		DPS-30S-05	DPS-30S-12	DPS-30S-15	DPS-30S-24	
Output	Rated output voltage	5 V	12 V	15 V	24 V	
	Rated output current	6 A	2.5 A	2 A	1.25 A	
	Rated power output	30 W				
	Peak current	7.2 A	3.0 A	2.4 A	1.5 A	
	Circuit voltage fluctuation rate	±0.5 %	±0.5 %	±0.5 %	±0.5 %	
	Load voltage fluctuation rate	±1 %	±1 %	±1 %	±1 %	
	Ripple	80 mV p-p max	120 mV p-p max	120 mV p-p max	150 mV p-p max	
	Ambient temperature fluctuation	±1 %	±1 %	±1 %	±1 %	
	Running time	200 ms max (110 V AC, I _o =100 %)				
	Remaining time	10 ms min (110 V AC, I _o =100 %)				
	Voltage fluctuation range	4.6 - 5.3 V	11.2 - 13.7 V	13.6 - 16.1 V	22.6 - 27.6 V	
	Voltage setting range	±1 % max (Rated output voltage)				
Input	Input voltage	100 - 240 V AC (※ Designed voltage range : 85 - 264 V AC)				
	Input frequency	50 - 60 Hz (47 - 63 Hz)				
	Current (A)	110 V AC	0.53	0.53	0.53	0.53
		220 V AC	0.3	0.3	0.3	0.3
	Efficiency	220 V AC	82 %	85 %	86 %	86 %
	Inrush current	110 V AC	20 A Typ. (Ta=25 °C, I _o =100 % at Cold start)			
		220 V AC	40 A Typ. (Ta=25 °C, I _o =100 % at Cold start)			
Leakage current	110 V AC	0.35 mA max				
	220 V AC	0.75 mA max				
Protection function	Over current protection	Protective function performed within 110 ~ 200 % of the rated output current				
	Over voltage protection	6.8 - 7.9 V	14.5 - 17.2 V	17.5 - 20.5 V	30 - 36 V	
	Overheating protection	Protection circuit is in operation when PWM controller's junction temperature is over 135~140°C.				
	Protection of output short	Auto Re-start				
	DC OK Signal	Green LED (ON when output voltage is normal)				
ETC	Dielectric strength	2,700 V AC for 1 min, Detection current = 10 mA, (Input - Output)				
		1,500 V AC for 1 min, Detection current = 10 mA, (Input - FG)				
		500 V AC for 1 min, Detection current = 10 mA, (Output - FG)				
		500 V AC for 1 min, Detection current = 10 mA, (Output - DC OK)				
Insulation resistance	50 MΩ min. (Input - Output, FG), (Output - FG, DC OK)					
Environment	Ambient temperature	- 25 ~ +70 °C (Refer to the derating curve of output load)				
	Ambient humidity	20 ~ 90 % RH (With no condensation)				
	Storage temperature	- 40 ~ +85 °C (With no condensation)				
	Vibration resistance	10 - 55 Hz, peak amplitude 0.375 mm, 2 hours for each of 3 directions (DIN Rail is installed without applying voltage)				
	Shock resistance	150 %, 3 times for each of 6 directions (State of packing)				
	Weight	262 g	242 g	242 g	244 g	

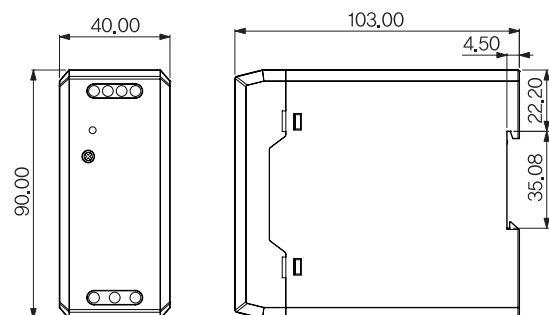
» Connection diagram



Terminal number	Terminal name	Description
①	+V OUT	+ Output terminal
②		
③	-V OUT	- Output terminal
④		
⑤	⊕	FG
⑥	AC (N)	AC Input terminal
⑦	AC (L)	
⑧	V-ADJ	Output voltage variable volume
⑨	DC OK	Output indication LED

※ Terminal ① and ② are connected inside the device
Terminal ③ and ④ are connected inside the device

» Dimension (Unit : mm)



50 Watt

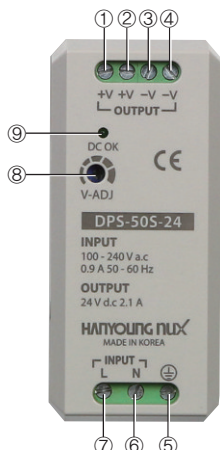
(5 V, 12 V, 15 V, 24 V DC)

DPS series

» Specification

Model		DPS-50S-05	DPS-50S-12	DPS-50S-15	DPS-50S-24	
Output	Rated output voltage	5 V	12 V	15 V	24 V	
	Rated output current	10 A	4.2 A	3.4 A	2.1 A	
	Rated power output	50 W				
	Peak current	12 A	5.04 A	4.08 A	2.52 A	
	Circuit voltage fluctuation rate	±0.5 %	±0.5 %	±0.5 %	±0.5 %	
	Load voltage fluctuation rate	±1 %	±1 %	±1 %	±1 %	
	Ripple	80 mV p-p max	120 mV p-p max	120 mV p-p max	150 mV p-p max	
	Ambient temperature fluctuation	±1 %	±1 %	±1 %	±1 %	
	Running time	200 ms max (110 V AC, I _o =100 %)				
	Remaining time	10 ms min (110 V AC, I _o =100 %)				
	Voltage fluctuation range	4.6 - 5.3 V	11.2 - 13.7 V	13.6 - 16.1 V	22.6 - 27.6 V	
	Voltage setting range	±1 % max (Rated output voltage)				
Input	Input voltage	100 - 240 V AC (※ Designed voltage range : 85 - 264 V AC)				
	Input frequency	50 - 60 Hz (47 - 63 Hz)				
	Current (A)	110 V AC	0.9	0.9	0.9	0.9
		220 V AC	0.5	0.5	0.5	0.5
	Efficiency	220 V AC	81 %	86 %	88 %	88 %
	Inrush current	110 V AC	20 A Typ. (T _a =25 °C, I _o =100 % at Cold start)			
		220 V AC	40 A Typ. (T _a =25 °C, I _o =100 % at Cold start)			
Leakage current	110 V AC	0.35 mA max				
	220 V AC	0.75 mA max				
Protection function	Over current protection	Protective function performed within 110 ~ 200 % of the rated output current				
	Over voltage protection	6.8 - 7.9 V	14.5 - 17.2 V	17.5 - 20.5 V	30 - 36 V	
	Overheating protection	Protection circuit is in operation when PWM controller's junction temperature is over 135~140°C.				
	Protection of output short	Auto Re-start				
	DC OK Signal	Green LED (ON when output voltage is normal)				
ETC	Dielectric strength	2,700 V AC for 1 min, Detection current = 10 mA, (Input - Output)				
		1,500 V AC for 1 min, Detection current = 10 mA, (Input - FG)				
		500 V AC for 1 min, Detection current = 10 mA, (Output - FG)				
		500 V AC for 1 min, Detection current = 10 mA, (Output - DC OK)				
Insulation resistance	50 MΩ min. (Input - Output, FG), (Output - FG, DC OK)					
Environment	Ambient temperature	- 25 ~ +70 °C (Refer to the derating curve of output load)				
	Ambient humidity	20 ~ 90 % RH (With no condensation)				
	Storage temperature	- 40 ~ +85 °C (With no condensation)				
	Vibration resistance	10 - 55 Hz, peak amplitude 0.375 mm, 2 hours for each of 3 directions (DIN Rail is installed without applying voltage)				
	Shock resistance	150 %, 3 times for each of 6 directions (State of packing)				
	Weight	274 g	270 g	268 g	266 g	

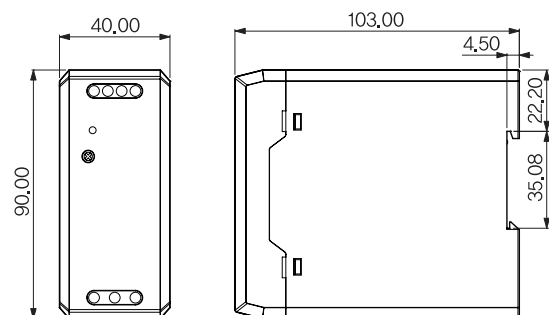
» Connection diagram



Terminal number	Terminal name	Description
①	+V OUT	+ Output terminal
②		
③	-V OUT	- Output terminal
④		
⑤	FG	AC Input terminal
⑥	AC (N)	
⑦	AC (L)	
⑧	V-ADJ	Output voltage variable volume
⑨	DC OK	Output indication LED

※ Terminal ① and ② are connected inside the device
Terminal ③ and ④ are connected inside the device

» Dimension (Unit : mm)



75 Watt

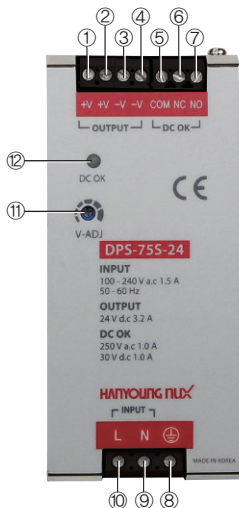
(12 V, 24 V, 48 V DC)

DPS series

» Specification

Model		DPS-75S-12	DPS-75S-24	DPS-75S-48	
Output	Rated output voltage	12 V	24 V	48 V	
	Rated output current	6.25 A	3.13 A	1.57 A	
	Rated power output	75 W			
	Peak current	7.5 A	3.8 A	1.9 A	
	Circuit voltage fluctuation rate	±0.5 %	±0.5 %	±0.5 %	
	Load voltage fluctuation rate	±1 %	±1 %	±1 %	
	Ripple	120 mV max	150 mV max	240 mV max	
	Ambient temperature fluctuation	±1 %	±1 %	±1 %	
	Running time	200 ms max (110 V AC, I _o =100 %)			
	Remaining time	10 ms min (110 V AC, I _o =100 %)			
	Voltage fluctuation range	11.2 - 13.7 V	22.6 - 27.6 V	45.2 - 50.1 V	
	Voltage setting range	±1 % max (Rated output voltage)			
Input	Input voltage	100 - 240 V AC (※Designed voltage range : 85 - 264 V AC)			
	Input frequency	50 - 60 Hz (47 - 63 Hz)			
	Current (A)	110 V AC	1.3	1.3	1.3
		220 V AC	0.71	0.71	0.71
	Efficiency	220 V AC	85 %	86 %	90 %
	Inrush current	110 V AC	20 A Typ. (T _a =25 °C, I _o =100 % at Cold start)		
		220 V AC	40 A Typ. (T _a =25 °C, I _o =100 % at Cold start)		
	Leakage current	110 V AC	0.35 mA max		
220 V AC		0.75 mA max			
Protection function	Over current protection	Protective function performed within 110 ~ 200 % of the rated output current			
	Over voltage protection	14 - 18 V	30 - 34 V	59 - 63 V	
	Overheating protection	Protection circuit is in operation when PWM controller's junction temperature is over 135~140°C			
	Protection of output short	Auto Re-start			
	DC OK Signal	Green LED (ON when output voltage is normal)			
	DC OK Output	Relay output (ON when rated output is over 85%), 250 V AC 1 A max, 30 V DC 1 A max)			
ETC	Dielectric strength	2,700 V AC for 1 min, Detection current = 10 mA, (Input - Output)			
		1,500 V AC for 1 min, Detection current = 10 mA, (Input - FG)			
		500 V AC for 1 min, Detection current = 10 mA, [Output - FG]			
		500 V AC for 1 min, Detection current = 10 mA, [Output - DC OK]			
Insulation resistance	50 MΩ min. (Input - Output, FG), (Output - FG, DC OK)				
Environment	Ambient temperature	- 25 ~ +70 °C (Refer to the derating curve of output load)			
	Ambient humidity	20 ~ 90 % RH (With no condensation)			
	Storage temperature	- 40 ~ +85 °C (With no condensation)			
	Vibration resistance	10 - 55 Hz, peak amplitude 0.375 mm, 2 hours for each of 3 directions (DIN Rail is installed without applying voltage)			
	Shock resistance	150 %, 3 times for each of 6 directions (State of packing)			
	Weight	536 g	528 g	524 g	

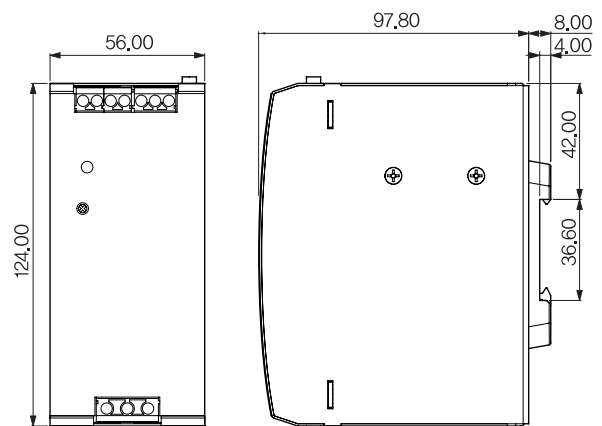
» Connection diagram



Terminal number	Terminal name	Description
①	+V OUT	+ Output terminal
②		
③	-V OUT	- Output terminal
④		
⑤	COM	DC OK Relay output
⑥	NC	
⑦	NO	
⑧	⊕	FG
⑨	AC (IN)	AC Input terminal
⑩	AC (L)	
⑪	V-ADJ	Output voltage variable volume
⑫	DC OK	Output indication LED

※ Terminal ① and ② are connected inside the device
Terminal ③ and ④ are connected inside the device

» Dimension (Unit : mm)



100 Watt

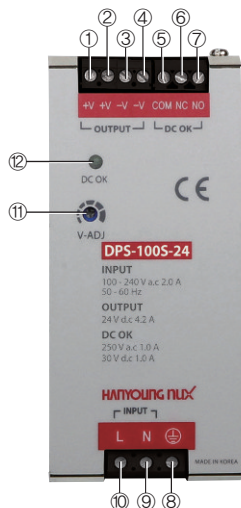
(12 V, 24 V, 48 V DC)

DPS series

» Specification

Model		DPS-100S-12	DPS-100S-24	DPS-100S-48	
Output	Rated output voltage	12 V	24 V	48 V	
	Rated output current	7.5 A	4.2 A	2.1 A	
	Rated power output	90 W	100 W	100 W	
	Peak current	9.0 A	5.0 A	2.5 A	
	Circuit voltage fluctuation rate	±0.5 %	±0.5 %	±0.5 %	
	Load voltage fluctuation rate	±1 %	±1 %	±1 %	
	Ripple	120 mV max	150 mV max	240 mV max	
	Ambient temperature fluctuation	±1 %	±1 %	±1 %	
	Running time	200 ms max (110 V AC, I _o =100 %)			
	Remaining time	10 ms min (110 V AC, I _o =100 %)			
	Voltage fluctuation range	11.2 - 13.7 V	22.6 - 27.6 V	45.2 - 50.1 V	
	Voltage setting range	±1 % max (Rated output voltage)			
Input	Input voltage	100 - 120 V AC / 200 - 240 V AC ※ Auto-select input			
	Input frequency	50 - 60 Hz (47 - 63 Hz)			
	Current (A)	110 V AC	0.93	0.9	0.9
		220 V AC	1.72	1.7	1.7
	Efficiency	220 V AC	86 %	88 %	88 %
	Inrush current	110 V AC	20 A Typ. (T _a =25 °C, I _o =100 % at Cold start)		
		220 V AC	40 A Typ. (T _a =25 °C, I _o =100 % at Cold start)		
	Leakage current	110 V AC	0.35 mA max		
220 V AC		0.75 mA max			
Protection function	Over current protection	Protective function performed within 110 ~ 200 % of the rated output current			
	Over voltage protection	14 - 18 V	30 - 34 V	59 - 63 V	
	Overheating protection	Protection circuit is in operation when PWM controller's junction temperature is over 135~140°C.			
	Protection of output short	Auto Re-start			
	DC OK Signal	Green LED (ON when output voltage is normal)			
	DC OK Output	Relay output (ON when rated output is over 85%), 250 V AC 1 A max, 30 V DC 1 A max)			
ETC	Dielectric strength	2,700 V AC for 1 min, Detection current = 10 mA, (Input - Output)			
		1,500 V AC for 1 min, Detection current = 10 mA, (Input - FG)			
		500 V AC for 1 min, Detection current = 10 mA, (Output - FG)			
		500 V AC for 1 min, Detection current = 10 mA, (Output - DC OK)			
Insulation resistance	50 MΩ min. (Input - Output, FG), (Output - FG, DC OK)				
Environment	Ambient temperature	- 25 ~ +70 °C (Refer to the derating curve of output load)			
	Ambient humidity	20 ~ 90 % RH (With no condensation)			
	Storage temperature	- 40 ~ +85 °C (With no condensation)			
	Vibration resistance	10 - 55 Hz, peak amplitude 0.375 mm, 2 hours for each of 3 directions (DIN Rail is installed without applying voltage)			
	Shock resistance	150 %, 3 times for each of 6 directions (State of packing)			
	Weight	556 g	558 g	562 g	

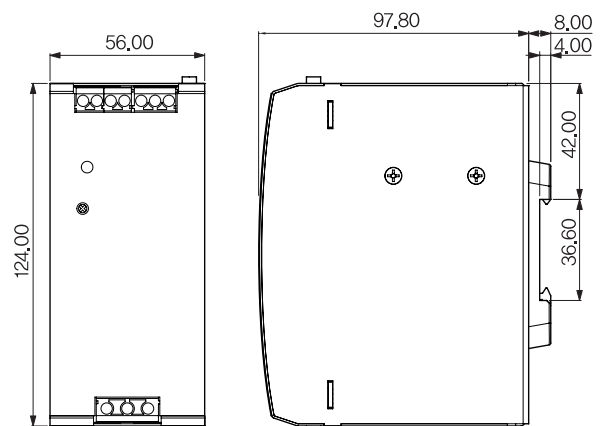
» Connection diagram



Terminal number	Terminal name	Description
①	+V OUT	+ Output terminal
②	-V OUT	- Output terminal
③	COM	DC OK Relay output
④	NC	
⑤	V-ADJ	FG
⑥	⊕	
⑦	AC (N)	AC Input terminal
⑧	AC (L)	
⑨	V-ADJ	Output voltage variable volume
⑩	DC OK	Output indication LED

※ Terminal ① and ② are connected inside the device
Terminal ③ and ④ are connected inside the device

» Dimension (Unit : mm)



120 Watt

(12 V, 24 V, 48 V DC)

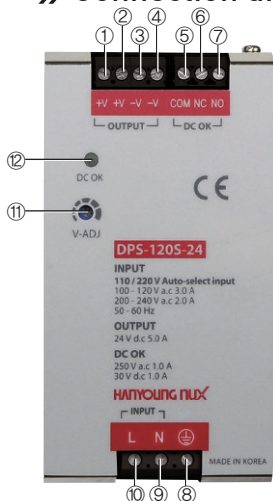
DPS series

» Specification

Model		DPS-120S-12	DPS-120S-24	DPS-120S-48	
Output	Rated output voltage	12 V	24 V	48 V	
	Rated output current	10 A	5 A	2.5 A	
	Rated power output	120 W			
	Peak current	12 A	6 A	3 A	
	Circuit voltage fluctuation rate	±0.5 %	±0.5 %	±0.5 %	
	Load voltage fluctuation rate	±1 %	±1 %	±1 %	
	Ripple	120 mV max	150 mV max	240 mV max	
	Ambient temperature fluctuation	±1 %	±1 %	±1 %	
	Running time	700 ms max (110 V AC, I _o =100 %)			
	Remaining time	30 ms min (110 V AC, I _o =100 %)			
	Voltage fluctuation range	11.2 - 13.7 V	22.6 - 27.6 V	45.2 - 50.1 V	
Voltage setting range	±1 % max (Rated output voltage)				
Input	Input voltage	100 - 120 V AC / 200 - 240 V AC ※ Auto-select input			
	Input frequency	50 - 60 Hz (47 - 63 Hz)			
	Current (A)	110 V AC	2.1	2.1	2.1
		220 V AC	1.1	1.1	1.1
	Efficiency	220 V AC	83 %	87 %	88 %
	Inrush current	110 V AC	20 A Typ. (Ta=25 °C, I _o =100 % at Cold start)		
		220 V AC	40 A Typ. (Ta=25 °C, I _o =100 % at Cold start)		
Leakage current	110 V AC	0.35 mA max			
	220 V AC	0.75 mA max			
Protection function	Over current protection	Protective function performed within 110 ~ 200 % of the rated output current			
	Over voltage protection	14 - 18 V	30 - 34 V	59 - 63 V	
	Overheating protection	Protection circuit is in operation when PWM controller's junction temperature is over 135~140°C.			
	Protection of output short	Auto Re-start			
	DC OK Signal	Green LED (ON when output voltage is normal)			
	DC OK Output	Relay output (ON when rated output is over 85%), 250 V AC 1 A max, 30 V DC 1 A max)			
ETC	Dielectric strength	2,700 V AC for 1 min, Detection current = 10 mA, (Input - Output)			
		1,500 V AC for 1 min, Detection current = 10 mA, (Input - FG)			
		500 V AC for 1 min, Detection current = 10 mA, (Output - FG)			
		500 V AC for 1 min, Detection current = 10 mA, (Output - DC OK)			
Insulation resistance	50 MΩ min. (Input - Output, FG), (Output - FG, DC OK)				
Environment	Ambient temperature	- 25 ~ +70 °C (Refer to the derating curve of output load)			
	Ambient humidity	20 ~ 90 % RH (With no condensation)			
	Storage temperature	- 40 ~ +85 °C (With no condensation)			
	Vibration resistance	10 - 55 Hz, peak amplitude 0.375 mm, 2 hours for each of 3 directions (DIN Rail is installed without applying voltage)			
	Shock resistance	150 %, 3 times for each of 6 directions (State of packing)			
	Weight	670 g	658 g	654 g	

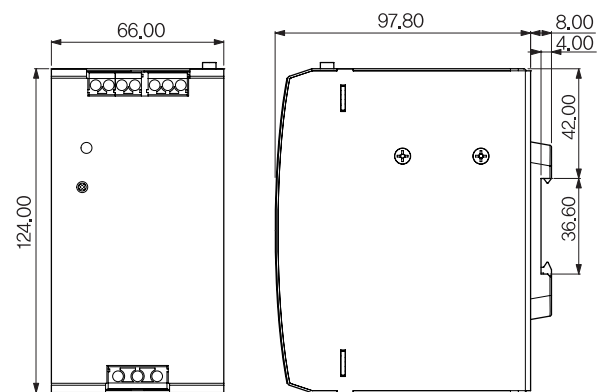
※ Auto-select input selects input voltage automatically without input output 100-120 V AC or 200 - 240 V AC.

» Connection diagram



Terminal number	Terminal name	Description
①	+V OUT	+ Output terminal
②	-V OUT	- Output terminal
③	COM	DC OK Relay output
④	NC	
⑤	NO	
⑥	⊕	FG
⑦	AC (N)	AC Input terminal
⑧	AC (L)	
⑨	V-ADJ	Output voltage variable volume
⑩	DC OK	Output indication LED

» Dimension (Unit : mm)



※ Terminal ① and ② are connected inside the device
Terminal ③ and ④ are connected inside the device

180 Watt

(12 V, 24 V, 48 V DC)

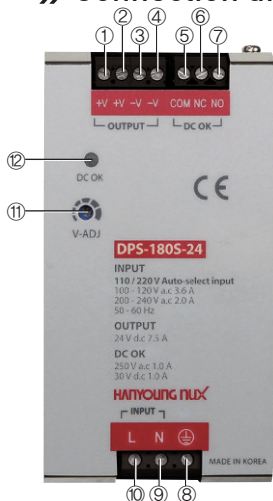
DPS series

» Specification

Model		DPS-180S-24	DPS-180S-48	
Output	Rated output voltage	24 V	48 V	
	Rated output current	7.5 A	3.8 A	
	Rated power output	180 W	180 W	
	Peak current	9 A	4.6 A	
	Circuit voltage fluctuation rate	±0.5 %	±0.5 %	
	Load voltage fluctuation rate	±1 %	±1 %	
	Ripple	150 mV max	240 mV max	
	Ambient temperature fluctuation	±1 %	±1 %	
	Running time	700 ms max (110 V AC, I _o =100 %)		
	Remaining time	30 ms min (110 V AC, I _o =100 %)		
	Voltage fluctuation range	22.6 - 27.6 V	45.2 - 50.1 V	
Voltage setting range	±1 % max (Rated output voltage)			
Input	Input voltage	100 - 120 V AC / 200 - 240 V AC ※ Auto-select input		
	Input frequency	50 - 60 Hz (47 - 63 Hz)		
	Current (A)	110 V AC	3.3	3.3
		220 V AC	91	91
	Efficiency	220 V AC	1.95 %	1.95 %
	Inrush current	110 V AC	20 A Typ. (T _a =25 °C, I _o =100 % at Cold start)	
		220 V AC	40 A Typ. (T _a =25 °C, I _o =100 % at Cold start)	
Leakage current	110 V AC	0.35 mA max		
	220 V AC	0.75 mA max		
Protection function	Over current protection	Protective function performed within 110 ~ 200 % of the rated output current		
	Over voltage protection	30 - 34 V	59 - 63 V	
	Overheating protection	Protection circuit is in operation when PWM controller's junction temperature is over 135~140°C.		
	Protection of output short	Auto Re-start		
	DC OK Signal	Green LED (ON when output voltage is normal)		
	DC OK Output	Relay output (ON when rated output is over 85%), 250 V AC 1 A max, 30 V DC 1 A max		
ETC	Dielectric strength	2,700 V AC for 1 min, Detection current = 10 mA, (Input - Output)		
		1,500 V AC for 1 min, Detection current = 10 mA, (Input - FG)		
		500 V AC for 1 min, Detection current = 10 mA, (Output - FG)		
		500 V AC for 1 min, Detection current = 10 mA, (Output - DC OK)		
Insulation resistance	50 MΩ min. (Input - Output, FG), (Output - FG, DC OK)			
Environment	Ambient temperature	- 25 ~ +70 °C (Refer to the derating curve of output load)		
	Ambient humidity	20 ~ 90 % RH (With no condensation)		
	Storage temperature	- 40 ~ +85 °C (With no condensation)		
	Vibration resistance	10 - 55 Hz, peak amplitude 0.375 mm, 2 hours for each of 3 directions (DIN Rail is installed without applying voltage)		
	Shock resistance	150 %g, 3 times for each of 6 directions (State of packing)		
	Weight	682 g	680 g	

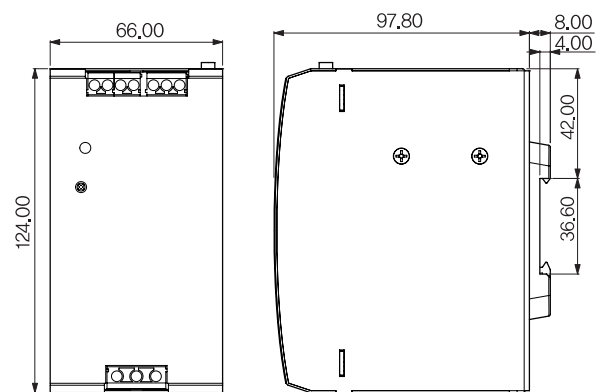
※ Auto-select input selects input voltage automatically without input output 100-120 V AC or 200 - 240 V AC.

» Connection diagram



Terminal number	Terminal name	Description
①	+V OUT	+ Output terminal
②	-V OUT	- Output terminal
③	COM	DC OK Relay output
④	NC	
⑤	V-ADJ	FG
⑥	AC (N)	AC Input terminal
⑦	AC (L)	
⑧	DC OK	Output voltage variable volume
⑨	V-ADJ	Output indication LED
⑩	DC OK	

» Dimension (Unit : mm)



※ Terminal ① and ② are connected inside the device
Terminal ③ and ④ are connected inside the device

240 Watt

(12 V, 24 V, 48 V DC)

DPS series

» Specification

Model		DPS-240S-12	DPS-240S-24	DPS-240S-48	
Output	Rated output voltage	12 V	24 V	48 V	
	Rated output current	18 A	10 A	5 A	
	Rated power output	216 W	240 W		
	Peak current	21 A	12 A	6 A	
	Circuit voltage fluctuation rate	±0.5 %	±0.5 %	±0.5 %	
	Load voltage fluctuation rate	±1 %	±1 %	±1 %	
	Ripple	120 mV max	150 mV max	240 mV max	
	Ambient temperature fluctuation	±1 %	±1 %	±1 %	
	Running time	700 ms max (110 V AC, I _o =100 %)			
	Remaining time	30 ms min (110 V AC, I _o =100 %)			
	Voltage fluctuation range	11.2 - 13.7 V	22.6 - 27.6 V	45.2 - 50.1 V	
	Voltage setting range	±1 % max (Rated output voltage)			
Input	Input voltage	100 - 120 V AC / 200 - 240 V AC ※ Auto-select input			
	Input frequency	50 - 60 Hz (47 - 63 Hz)			
	Current (A)	110 V AC	4.5	4.5	4.5
		220 V AC	2.4	2.4	2.4
	Efficiency	220 V AC	90 %	92 %	93 %
	Inrush current	110 V AC	20 A Typ. (T _a =25 °C, I _o =100 % at Cold start)		
		220 V AC	40 A Typ. (T _a =25 °C, I _o =100 % at Cold start)		
Leakage current	110 V AC	0.35 mA max			
	220 V AC	0.75 mA max			
Protection function	Over current protection	Protective function performed within 110 ~ 200 % of the rated output current			
	Over voltage protection	16 - 18 V	28.5 - 33 V	56 - 59 V	
	Overheating protection	Protection circuit is in operation when PWM controller's junction temperature is over 135~140°C.			
	Protection of output short	Auto Re-start			
	DC OK Signal	Green LED (ON when output voltage is normal)			
	DC OK Output	Relay output (ON when rated output is over 85%), 250 V AC 1 A max, 30 V DC 1 A max)			
ETC	Dielectric strength	2,700 V AC for 1 min, Detection current = 10 mA, (Input - Output)			
		1,500 V AC for 1 min, Detection current = 10 mA, (Input - FG)			
		500 V AC for 1 min, Detection current = 10 mA, (Output - FG)			
		500 V AC for 1 min, Detection current = 10 mA, (Output - DC OK)			
Insulation resistance	50 MΩ min. (Input - Output, FG), (Output - FG, DC OK)				
Environment	Ambient temperature	- 25 ~ +70 °C (Refer to the derating curve of output load)			
	Ambient humidity	20 ~ 90 % RH (With no condensation)			
	Storage temperature	- 40 ~ +85 °C (With no condensation)			
	Vibration resistance	10 - 55 Hz, peak amplitude 0.375 mm, 2 hours for each of 3 directions (DIN Rail is installed without applying voltage)			
	Shock resistance	150 %g, 3 times for each of 6 directions (State of packing)			
	Weight	896 g	892 g	890 g	

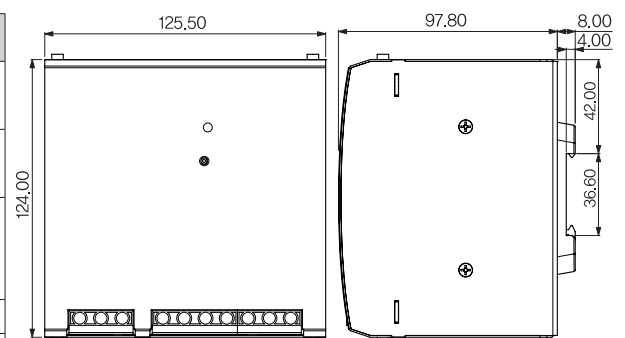
※ Auto-select input selects input voltage automatically without input output 100-120 V AC or 200 - 240 V AC.

» Connection diagram



Terminal number	Terminal name	Description
①	+V OUT	+ Output terminal
②		
③	-V OUT	- Output terminal
④		
⑤	COM	DC OK Relay output
⑥	NC	
⑦	NO	
⑧	⊕	FG
⑨	AC (L)	AC Input terminal
⑩	AC (N)	
⑪	V-ADJ	Output voltage variable volume
⑫	DC OK	Output indication LED

» Dimension (Unit : mm)



※ Terminal ① and ② are connected inside the device
Terminal ③ and ④ are connected inside the device

AC-DC Power supply

TPS series



» Feature

- Maximize the effect of protection against heat with using the Aluminum case. (30 W - 75 W)
- Output voltage adjustable volume built-in
- Output ON Pilot lamp (LED)
- Free Voltage (100 - 240 V AC)
- Inrush Current Limit Circuit built-in
- Over current, Over voltage (except for 15 W), output short circuit, and overheating protection function

» Suffix code

Model	Code	Description
TPS-	<input type="checkbox"/> <input type="checkbox"/> <input type="checkbox"/>	TPS Power supply
Power output	15	15 W
	30	30 W
	50	50 W
	75	75 W
	100	100 W
	150	150 W
	220	220 W
	350	350 W
	450	450 W
	600	600 W
Number of output voltage	S	1 Output (Single output)
	D	2 Output (Dual output)
Output voltage classification	05	5 V DC
	12	12 V DC
	15	15 V DC
	24	24 V DC

15 Watt

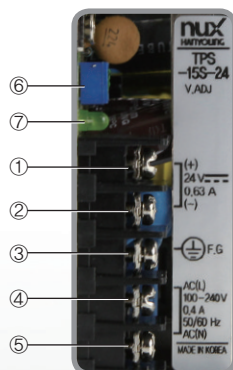
(5 V, 12 V, 15 V, 24 V DC)

TPS series

» Specification

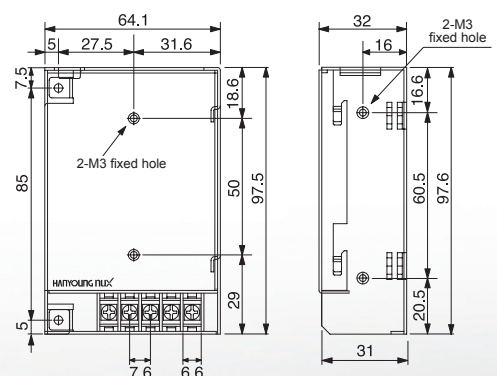
Model		TPS-15S-05	TPS-15S-12	TPS-15S-15	TPS-15S-24	
Output	Rated output voltage	5 V	12 V	15 V	24 V	
	Rated output current	3 A	1.3 A	1 A	0.63 A	
	Rated power output	15 W	15.6 W	15 W	15.1 W	
	Peak current	3.9 A	1.4 A	1.3 A	0.8 A	
	Circuit voltage fluctuation rate	±50 mV	±120 mV	±150 mV	±240 mV	
	Load voltage fluctuation rate	±50 mV	±120 mV	±150 mV	±240 mV	
	Ripple/noise	50/100 mV max	80/170 mV max	80/170 mV max	100/200 mV max	
	Ambient temperature fluctuation	50 mV	120 mV	150 mV	240 mV	
	Running time	500 ms max (110 V AC, I _o = 100 %)				
	Remaining time	20 ms min (110 V AC, I _o = 100 %)				
	Voltage fluctuation range	4.75 - 5.25 V	11.4 - 12.6 V	14.25 - 15.75 V	22.8 - 25.2 V	
	Voltage setting range	±1 % max (Rated output voltage)				
Input	Input voltage	100 - 240 V AC (※ Designed voltage range : 88 - 264 V AC)				
	Input frequency	50 - 60 Hz (47 - 63 Hz)				
	Current (A)	110 V AC	0.4	0.4	0.4	0.4
		220 V AC	0.2	0.2	0.2	0.2
	Efficiency	220 V AC	75 %	79 %	83 %	84 %
	Inrush current	110 V AC	20 A Typ. (T _a = 25 °C, I _o = 100 %)			
		220 V AC	40 A Typ. (T _a = 25 °C, I _o = 100 %)			
Leakage current	110 V AC	3.5 mA max				
	220 V AC	3.5 mA max				
Protection function	Over voltage protection	Protective function performed within 110 ~ 190 % of the rated output current				
	Overheating protection	135 °C				
	Protection of output short	Auto Re-start				
	Output signal LED	Green LED				
ETC	Dielectric strength	2,700 V AC for 1 min, Detection current = 10 mA, (Input - Output)				
		1,500 V AC for 1 min, Detection current = 10 mA, (Input - FG)				
		500 V AC for 1 min, Detection current = 10 mA, (Output - FG)				
Insulation resistance	50 MΩ min. (Input - Output, FG), (Output - FG)					
Environment	Ambient temperature	-20 ~ +50 °C (Refer to the derating curve of output load)				
	Ambient humidity	20 ~ 90 % R.H (With no condensation)				
	Storage temperature	-30 ~ +85 °C (With no condensation)				
	Vibration resistance	10 - 55 Hz, peak amplitude 0.375 mm, 2 hours for each of 3 directions (Not in motion)				
	Shock resistance	150 %, 3 times for each of 6 directions (State of packing)				
	Weight	approx. 228 g (Excluded the weight of box)				

» Connection diagram



Terminal number	Terminal name	Description
①	+ VOUT	DC output terminal
②	- VOUT	
③	⊕	FG
④	AC (L)	AC Input terminal
⑤	AC (N)	
⑥	V-ADJ	Output voltage variable volume
⑦	DC OK	Output indication LED

» Dimension (Unit : mm)



30 Watt

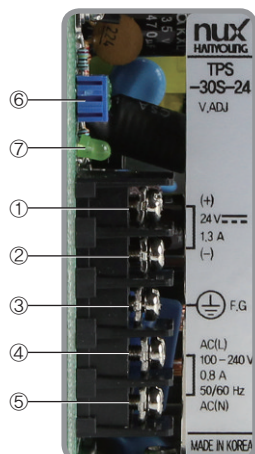
(5 V, 12 V, 15 V, 24 V DC)

TPS series

» Specification

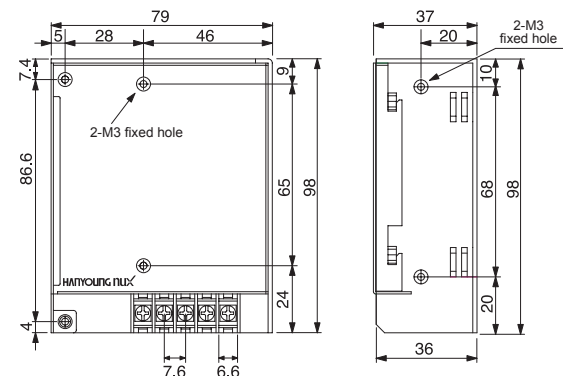
Model		TPS-30S-05	TPS-30S-12	TPS-30S-15	TPS-30S-24	
Output	Rated output voltage	5 V	12 V	15 V	24 V	
	Rated output current	6 A	2.5 A	2 A	1.3 A	
	Rated power output	30 W			31.2 W	
	Peak current	7.5 A	3.5 A	2.2 A	1.5 A	
	Circuit voltage fluctuation rate	±50 mV	±120 mV	±150 mV	±240 mV	
	Load voltage fluctuation rate	±50 mV	±120 mV	±150 mV	±240 mV	
	Ripple/noise	50/100 mV max	80/170 mV max	80/170 mV max	100/200 mV max	
	Ambient temperature fluctuation	50 mV	120 mV	150 mV	240 mV	
	Running time	500 ms max(110 V AC, I _o = 100 %)				
	Remaining time	20 ms min (110 V AC, I _o = 100 %)				
	Voltage fluctuation range	4.75 - 5.25 V	11.4 - 12.6 V	14.25 - 15.75 V	22.8 - 25.2 V	
	Voltage setting range	±1 % max (Rated output voltage)				
Input	Input voltage	100 - 240 V AC (※ Designed voltage range : 88 - 264 V AC)				
	Input frequency	50 - 60 Hz (47 - 63 Hz)				
	Current (A)	110 V AC	0.8	0.8	0.8	0.8
		220 V AC	0.4	0.4	0.4	0.4
	Efficiency	220 V AC	72 %	84 %	85 %	85 %
	Inrush current	110 V AC	20 A Typ. (T _a = 25 °C, I _o = 100 % at COLD START)			
		220 V AC	40 A Typ. (T _a = 25 °C, I _o = 100 % at COLD START)			
Leakage current	110 V AC	3.5 mA max				
	220 V AC	3.5 mA max				
Protection function	Over current protection	Protective function performed within 110 ~ 220 % of the rated output current				
	Over voltage protection	5.75 - 7.0 V	13.8 - 16.8 V	17.3 - 21 V	27.6 - 33.6 V	
	Overheating protection	140 °C				
	Protection of output short	Auto Re-start				
	Output signal LED	Green LED				
ETC	Dielectric strength	2,700 V AC for 1 min, Detection current = 10 mA, (Input - Output)				
		1,500 V AC for 1 min, Detection current = 10 mA, (Input - FG)				
		500 V AC for 1 min, Detection current = 10 mA, (Output - FG)				
Insulation resistance	50 MΩ min. (Input - Output, FG), (Output - FG)					
Environment	Ambient temperature	-20 ~ +50 °C (Refer to the derating curve of output load)				
	Ambient humidity	20 ~ 90 % R.H (With no condensation)				
	Storage temperature	-30 ~ +85 °C (With no condensation)				
	Vibration resistance	10 - 55 Hz, peak amplitude 0.375 mm, 2 hours for each of 3 directions (not in motion)				
	Shock resistance	150 %, 3 times for each of 6 directions (State of packing)				
	Weight	approx. 238 g (Excluded the weight of box)				

» Connection diagram



Terminal number	Terminal name	Description
①	+V OUT	DC output terminal
②	-V OUT	
③	⊕	FG
④	AC (L)	AC Input terminal
⑤	AC (N)	
⑥	V-ADJ	Output voltage variable volume
⑦	DC OK	Output indication LED

» Dimension (Unit : mm)



50 Watt

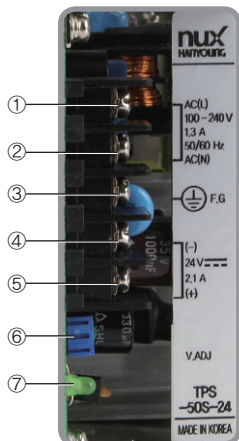
(5 V, 12 V, 15 V, 24 V DC)

TPS series

» Specification

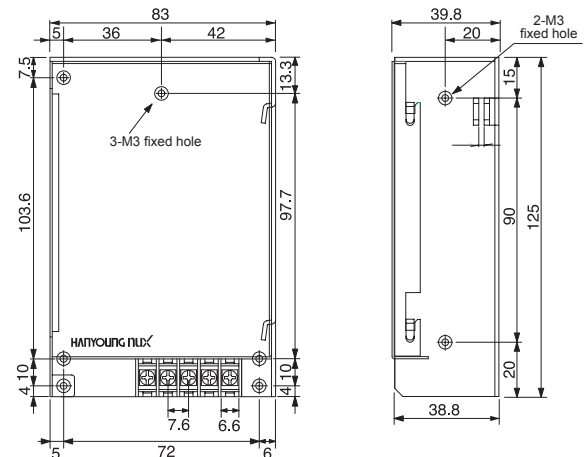
Model		TPS-50S-05	TPS-50S-12	TPS-50S-15	TPS-50S-24	
Output	Rated output voltage	5 V	12 V	15 V	24 V	
	Rated output current	9 A	4.2 A	3.4 A	2.1 A	
	Rated power output	45 W	50.4 W	51 W	50.4 W	
	Peak current	12 A	5.5 A	4.0 A	2.8 A	
	Circuit voltage fluctuation rate	± 50 mV	± 120 mV	± 150 mV	± 240 mV	
	Load voltage fluctuation rate	± 50 mV	± 120 mV	± 150 mV	± 240 mV	
	Ripple/noise	50/100 mV max	80/170 mV max	80/170 mV max	100/200 mV max	
	Ambient temperature fluctuation	50 mV	120 mV	150 mV	240 mV	
	Running time	500 ms max (110 V AC, I _o = 100 %)				
	Remaining time	20 ms min (110 V AC, I _o = 100 %)				
	Voltage fluctuation range	4.75 - 5.25 V	11.4 - 12.6 V	14.25 - 15.75 V	22.8 - 25.2 V	
	Voltage setting range	± 1% max (Rated output voltage)				
Input	Input voltage	100 - 240 V AC (※ Designed voltage range : 88 - 264 V AC)				
	Input frequency	50 - 60 Hz (47 - 63 Hz)				
	Current (A)	110 V AC	1.3	1.3	1.3	1.3
		220 V AC	0.6	0.6	0.6	0.6
	Efficiency	220 V AC	75 %	83 %	85 %	87 %
	Inrush current	110 V AC	20 A Typ. (T _a = 25 °C, I _o = 100 % at COLD START)			
		220 V AC	40 A Typ. (T _a = 25 °C, I _o = 100 % at COLD START)			
Leakage current	110 V AC	3.5 mA max				
	220 V AC	3.5 mA max				
Protection function	Over current protection	Protective function performed within 110 ~ 190 % of the rated output current				
	Over voltage protection	5.75 - 7.0 V	13.8 - 16.8 V	17.3 - 21 V	27.6 - 33.6 V	
	Overheating protection	140 °C				
	Protection of output short	Auto Re-start				
	Output signal LED	Green LED				
ETC	Dielectric strength	2,700 V AC for 1 min, Detection current = 10 mA, (Input - Output)				
		1,500 V AC for 1 min, Detection current = 10 mA, (Input - FG)				
		500 V AC for 1 min, Detection current = 10 mA, (Output - FG)				
Insulation resistance	50 MΩ min. (Input - Output, FG), (Output - FG)					
Environment	Ambient temperature	-20 ~ +50 °C (Refer to the derating curve of output load)				
	Ambient humidity	20 ~ 90 % R.H (With no condensation)				
	Storage temperature	-30 ~ +85 °C (With no condensation)				
	Vibration resistance	10 - 55 Hz, peak amplitude 0.375 mm, 2 hours for each of 3 directions (not in motion)				
	Shock resistance	150 %, 3 times for each of 6 directions (State of packing)				
	Weight	approx. 328 g (Excluded the weight of box)				

» Connection diagram



Terminal number	Terminal name	Description
①	AC (L)	AC Input terminal
②	AC (N)	
③	⊕	FG
④	-V OUT	DC output terminal
⑤	+V OUT	
⑥	V-ADJ	Output voltage variable volume
⑦	DC OK	Output indication LED

» Dimension (Unit : mm)



75 Watt

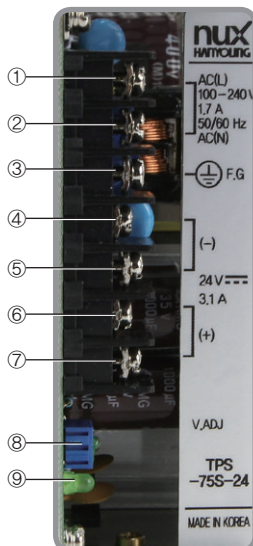
(5 V, 12 V, 15 V, 24 V DC)

TPS series

» Specification

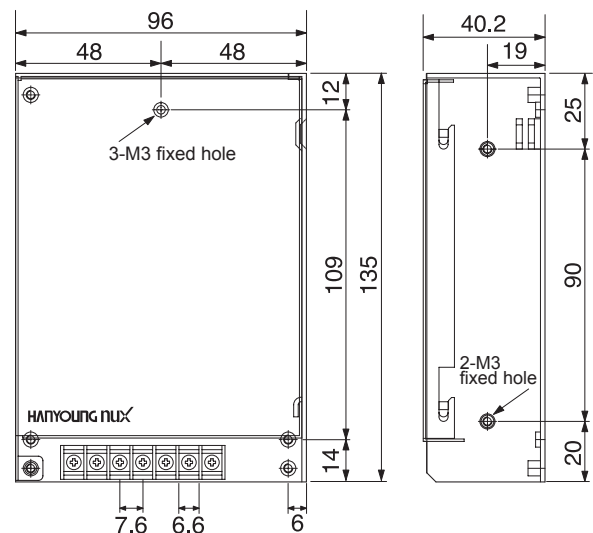
Model		TPS-75S-05	TPS-75S-12	TPS-75S-15	TPS-75S-24	
Output	Rated output voltage	5 V	12 V	15 V	24 V	
	Rated output current	13 A	6.3 A	5 A	3.1 A	
	Rated power output	65 W	75.6 W	75 W	74.4 W	
	Peak current	15 A	7.0 A	5.3 A	3.5 A	
	Circuit voltage fluctuation rate	±50 mV	±120 mV	±150 mV	±240 mV	
	Load voltage fluctuation rate	±50 mV	±120 mV	±150 mV	±240 mV	
	Ripple/noise	50/100 mV max	80/170 mV max	80/170 mV max	100/200 mV max	
	Ambient temperature fluctuation	50 mV	120 mV	150 mV	240 mV	
	Running time	500 ms max (110 V AC, I _o = 100 %)				
	Remaining time	20 ms min (110 V AC, I _o = 100 %)				
	Voltage fluctuation range	4.75 - 5.25 V	11.4 - 12.6 V	14.25 - 15.75 V	22.8 - 25.2 V	
	Voltage setting range	±1 % max (Rated output voltage)				
Input	Input voltage	100 - 240 V AC (※ Designed voltage range : 88 - 264 V AC)				
	Input frequency	50 - 60 Hz (47 - 63 Hz)				
	Current (A)	110 V AC	1.7	1.7	1.7	1.7
		220 V AC	0.8	0.8	0.8	0.8
	Efficiency	220 V AC	77 %	85 %	85 %	87 %
	Inrush current	110 V AC	20 A Typ. (T _a = 25 °C, I _o = 100 % at COLD START)			
		220 V AC	40 A Typ. (T _a = 25 °C, I _o = 100 % at COLD START)			
Leakage current	110 V AC	3.5 mA max				
	220 V AC	3.5 mA max				
Protection function	Over current protection	Protective function performed within 110 ~ 170 % of the rated output current				
	Over voltage protection	5.75 - 7.0 V	13.8 - 16.8 V	17.3 - 21 V	27.6 - 33.6 V	
	Overheating protection	140 °C				
	Protection of output short	Auto Re-start				
	Output signal LED	Green LED				
ETC	Dielectric strength	2,700 V AC for 1 min, Detection current = 10 mA, (Input - Output)				
		1,500 V AC for 1 min, Detection current = 10 mA, (Input - FG)				
		500 V AC for 1 min, Detection current = 10 mA, (Output - FG)				
Insulation resistance	50 MΩ min. (Input - Output, FG), (Output - FG)					
Environment	Ambient temperature	-20 ~ +50 °C (Refer to the derating curve of output load)				
	Ambient humidity	20 ~ 90 % R.H (With no condensation)				
	Storage temperature	-30 ~ +85 °C (With no condensation)				
	Vibration resistance	10 - 55 Hz, peak amplitude 0.375 mm, 2 hours for each of 3 directions (not in motion)				
	Shock resistance	150 %, 3 times for each of 6 directions (State of packing)				
	Weight	approx. 394 g (Excluded the weight of box)				

» Connection diagram



Terminal number	Terminal name	Description
①	AC (L)	AC Input terminal
②	AC (N)	
③	⊕	FG
④	-V OUT	DC output terminal
⑤	+V OUT	
⑥	V-ADJ	Output voltage variable volume
⑨	DC OK	Output indication LED

» Dimension (Unit : mm)



100 Watt

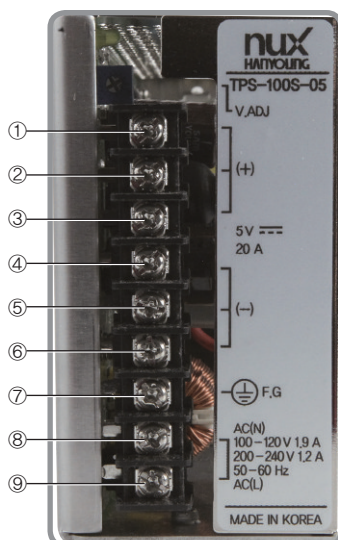
(5 V, 12 V, 15 V, 24 V DC)

TPS series

» Specification

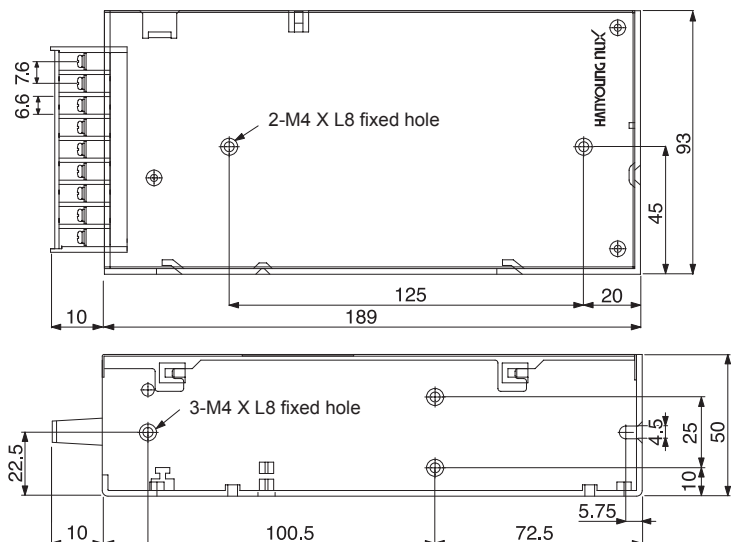
Model		TPS-100S-05	TPS-100S-12	TPS-100S-15	TPS-100S-24	
Output	Rated output voltage	5 V	12 V	15 V	24 V	
	Rated output current	20 A	8.4 A	6.7 A	4.2 A	
	Rated power output	100 W	100.8 W	100.5 W	100.8 W	
	Peak current	27 A	13 A	10 A	6 A	
	Circuit voltage fluctuation rate	±25 mV	±36 mV	±45 mV	±72 mV	
	Load voltage fluctuation rate	±50 mV	±36 mV	±45 mV	±72 mV	
	Ripple/noise	50/100 mV max	80/170 mV max	80/170 mV max	100/200 mV max	
	Ambient temperature fluctuation	50 mV	120 mV	150 mV	240 mV	
	Running time	500 ms max (110 V AC, lo = 100 %)				
	Remaining time	20 ms min (110 V AC, lo = 100 %)				
	Voltage fluctuation range	4.75 - 5.25 V	11.4 - 12.6 V	14.25 - 15.75 V	22.8 - 25.2 V	
	Voltage setting range	±0.5 % max (Rated output voltage)				
Input	Input voltage	100 - 120 / 200 - 240 V AC				
	Input frequency	50 - 60 Hz (47 - 63 Hz)				
	Current (A)	110 V AC	1.88	1.75	1.75	1.69
		220 V AC	1.0	0.93	0.91	0.90
	Efficiency	220 V AC	80 %	87 %	87 %	90 %
		110 V AC	25 A Typ. (Ta = 25 °C, lo = 100 % at COLD START)			
	Inrush current	220 V AC	50 A Typ. (Ta = 25 °C, lo = 100 % at COLD START)			
110 V AC		3.5 mA max				
Leakage current	220 V AC	3.5 mA max				
	110 V AC	3.5 mA max				
Protection function	Over current protection	Protective function performed within 110 ~ 170 % of the rated output current				
	Over voltage protection	5.75 - 7.0 V	13.8 - 16.8 V	17.3 - 21 V	27.6 - 33.6 V	
	Overheating protection	140 °C				
	Protection of output short	Auto Re-start				
	Output signal LED	Green LED				
ETC	Dielectric strength	2,700 V AC for 1 min, Detection current = 10 mA, (Input - Output)				
		1,500 V AC for 1 min, Detection current = 10 mA, (Input - FG)				
		500 V AC for 1 min, Detection current = 10 mA, (Output - FG)				
Insulation resistance	50 MΩ min. (Input - Output, FG), (Output - FG)					
Environment	Ambient temperature	-20 ~ +50 °C (Refer to the derating curve of output load)				
	Ambient humidity	20 ~ 90 % R.H (With no condensation)				
	Storage temperature	-30 ~ +85 °C (With no condensation)				
	Vibration resistance	10 - 55 Hz, peak amplitude 0.375 mm, 2 hours for each of 3 directions (not in motion)				
	Shock resistance	150 %, 3 times for each of 6 directions (State of packing)				
	Weight	approx. 650 g (Excluded the weight of box)				

» Connection diagram



Terminal number	Terminal name	Description
①	+V OUT	+ Out
②	+V OUT	
③	+V OUT	
④	-V OUT	- Out
⑤	-V OUT	
⑥	-V OUT	
⑦	⊕	FG
⑧	AC (N)	AC Input terminal
⑨	AC (L)	

» Dimension (Unit : mm)



150 Watt

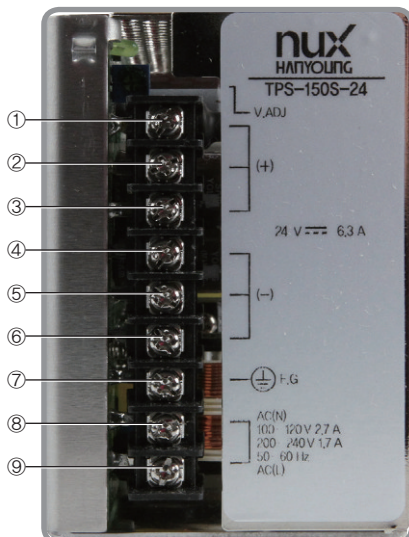
(5 V, 12 V, 15 V, 24 V DC)

TPS series

» Specification

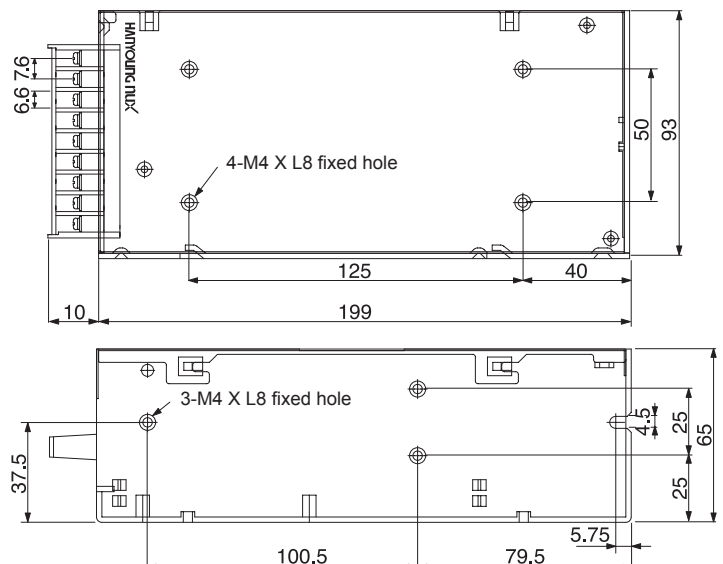
Model		TPS-75S-05	TPS-75S-12	TPS-75S-15	TPS-75S-24	
Output	Rated output voltage	5 V	12 V	15 V	24 V	
	Rated output current	27 A	12.5 A	10 A	6.3 A	
	Rated power output	135 W	150 W	150 W	151 W	
	Peak current	33 A	14 A	14 A	10 A	
	Circuit voltage fluctuation rate	±25 mV	±36 mV	±45 mV	±72 mV	
	Load voltage fluctuation rate	±50 mV	±36 mV	±45 mV	±72 mV	
	Ripple/noise	50/100 mV max	80/170 mV max	80/170 mV max	100/200 mV max	
	Ambient temperature fluctuation	50 mV	120 mV	150 mV	240 mV	
	Running time	500 ms max (110 V AC, I _o = 100 %)				
	Remaining time	20 ms min (110 V AC, I _o = 100 %)				
	Voltage fluctuation range	4.75 - 5.25 V	11.4 - 12.6 V	14.25 - 15.75 V	22.8 - 25.2 V	
	Voltage setting range	±0.5 % max (Rated output voltage)				
Input	Input voltage	100 - 120 / 200 - 240 V AC				
	Input frequency	50 - 60 Hz (47 - 63 Hz)				
	Current (A)	110 V AC	2.95	2.85	2.85	2.75
		220 V AC	1.75	1.65	1.65	1.55
	Efficiency	220 V AC	78 %	87 %	85 %	89 %
		Inrush current	28 A Typ. (T _a = 25 °C, I _o = 100 % at COLD START)			
	Leakage current	110 V AC	3.5 mA max			
220 V AC		3.5 mA max				
Protection function	Over current protection	Protective function performed within 110 ~ 170 % of the rated output current				
	Over voltage protection	5.75 - 7.0 V	13.8 - 16.8 V	17.3 - 21 V	27.6 - 33.6 V	
	Overheating protection	140 °C				
	Protection of output short	Auto Re-start				
	Output signal LED	Green LED				
ETC	Dielectric strength	2,700 V AC for 1 min, Detection current = 10 mA, (Input - Output)				
		1,500 V AC for 1 min, Detection current = 10 mA, (Input - FG)				
		500 V AC for 1 min, Detection current = 10 mA, (Output - FG)				
Insulation resistance	50 MΩ min. (Input - Output, FG), (Output - FG)					
Environment	Ambient temperature	-20 ~ +50 °C (Refer to the derating curve of output load)				
	Ambient humidity	20 ~ 90 % R.H (With no condensation)				
	Storage temperature	-30 ~ +85 °C (With no condensation)				
	Vibration resistance	10 - 55 Hz, peak amplitude 0.375 mm, 2 hours for each of 3 directions (not in motion)				
	Shock resistance	150 %, 3 times for each of 6 directions (State of packing)				
	Weight	approx. 726 g (Excluded the weight of box)				

» Connection diagram



Terminal number	Terminal name	Description
①	+V OUT	+ Out
②	+V OUT	
③	+V OUT	
④	-V OUT	- Out
⑤	-V OUT	
⑥	-V OUT	
⑦	⊕	FG
⑧	AC (N)	AC Input terminal
⑨	AC (L)	

» Dimension (Unit : mm)



220 Watt

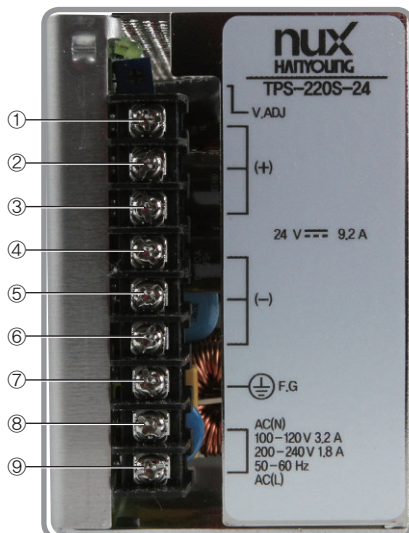
(5 V, 12 V, 15 V, 24 V DC)

TPS series

» Specification

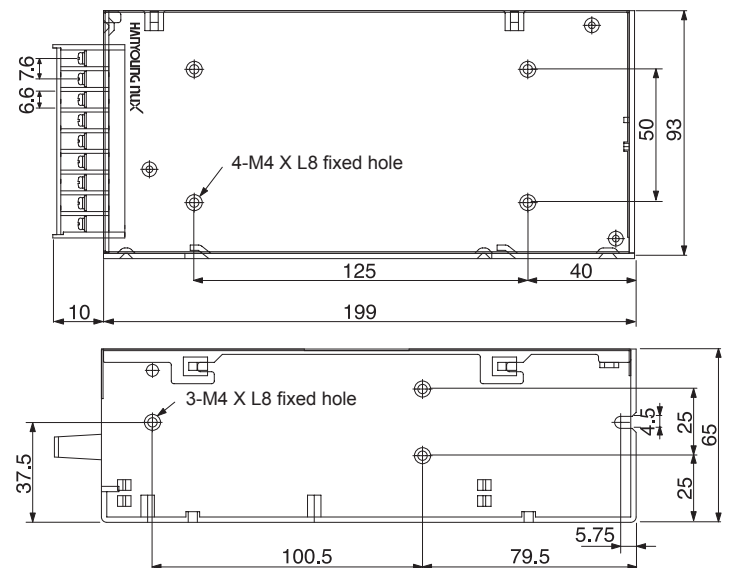
Model		TPS-220S-12	TPS-220S-15	TPS-220S-24	
Output	Rated output voltage	12 V	15 V	24 V	
	Rated output current	17 A	14.7 A	9.2 A	
	Rated power output	204 W	220.5 W	220.8 W	
	Peak current	20 A	20 A	13 A	
	Circuit voltage fluctuation rate	±36 mV	±45 mV	±72 mV	
	Load voltage fluctuation rate	±36 mV	±45 mV	±72 mV	
	Ripple/noise	80/170 mV max	80/170 mV max	100/200 mV max	
	Ambient temperature fluctuation	120 mV	150 mV	240 mV	
	Running time	500 ms max (110 V AC, I _o = 100 %)			
	Remaining time	20 ms min (110 V AC, I _o = 100 %)			
	Voltage fluctuation range	11.4 - 12.6 V	14.25 - 15.75 V	22.8 - 25.2 V	
	Voltage setting range	±0.5 % max (Rated output voltage)			
Input	Input voltage	100 - 120 / 200 - 240 V AC			
	Input frequency	50 - 60 Hz (47 - 63 Hz)			
	Current (A)	110 V AC	3.2	3.2	3.1
		220 V AC	1.8	1.8	1.7
	Efficiency	220 V AC	86 %	86 %	90 %
	Inrush current	110 V AC	20 A Typ. (T _a = 25 °C, I _o = 100 % at COLD START)		
		220 V AC	40 A Typ. (T _a = 25 °C, I _o = 100 % at COLD START)		
Leakage current	110 V AC	3.5 mA max			
	220 V AC	3.5 mA max			
Protection function	Over current protection	Protective function performed within 110 ~ 170 % of the rated output current			
	Over voltage protection	13.8 - 16.8 V	17.3 - 21 V	27.6 - 33.6 V	
	Overheating protection	140 °C			
	Protection of output short	Auto Re-start			
	Output signal LED	Green LED			
ETC	Dielectric strength	2,700 V AC for 1 min, Detection current = 10 mA, (Input - Output)			
		1,500 V AC for 1 min, Detection current = 10 mA, (Input - FG)			
		500 V AC for 1 min, Detection current = 10 mA, (Output - FG)			
Insulation resistance	50 MΩ min. (Input - Output, FG), (Output - FG)				
Environment	Ambient temperature	-20 ~ +50 °C (Refer to the derating curve of output load)			
	Ambient humidity	20 ~ 90 % R.H (With no condensation)			
	Storage temperature	-30 ~ +85 °C (With no condensation)			
	Vibration resistance	10 - 55 Hz, peak amplitude 0.375 mm, 2 hours for each of 3 directions (not in motion)			
	Shock resistance	150 %, 3 times for each of 6 directions (State of packing)			
	Weight	approx. 726 g (Excluded the weight of box)			

» Connection diagram



Terminal number	Terminal name	Description
①	+V OUT	+ Out
②	+V OUT	
③	+V OUT	
④	-V OUT	- Out
⑤	-V OUT	
⑥	-V OUT	
⑦	⊕	FG
⑧	AC (N)	AC Input terminal
⑨	AC (L)	

» Dimension (Unit : mm)



Always with our customers

www.hynux.net



Control Switch

Control Instrument

Photo Sensor / Proximity Sensor

Thyristor Power Regulator

Sign tower / Signal light

World Leader in Control & Measurement

MAIN PRODUCTS

Temperature Controller / Recorder / Digital Counter / Timer / Analog Timer / Panelmeter / Multi Pulse Meter
Sensor / Rotary Encoder / Thyristor Power Regulator / Solid State Relay / Power Supply / Hoist switch
Foot switch / Mono lever switch / Micro switch / Power switch / Limit switch / Cam switch / Main switch
Sign tower / Signal light / Buzzer / Terminal block / Fuse holder / Control box / Cable connector

www.ssint.com.mx



Security or Safety International S.A. de C.V.

Torres IOS Campestre, Av. Ricardo Margain No. 575, C.P. 66267,
Parque Corporativo Santa Engracia, San Pedro Garza Garcia, N.L, México.
Tel: (01 81) 83597570 / 83588687
E-mail: ventas1@ssint.com.mx / soporte@ssint.com.mx