



Note: RoHS applies only to SS thermowell

### Description & Features:

- An all-purpose, economical thermometer with a vertical sensing tube and case
- Separable brass, lead free brass or stainless steel thermowell
- Impact resistant ABS case
- Red liquid-in glass
- Dual scale (°F & °C)
- Back or bottom connected
- 1/2" NPT process connection
- ASME B40.200 compliant
- 5 year warranty

### Applications:

- Hot water lines, boilers, heating, ventilation and air conditioning

Specifications	
Scale	Aluminum, painted white with black markings
Case	5" (125mm) black ABS
Lens	Glass
Tube	Glass, cushioned
Sensing Liquid	Kerosene, tinted red
Stem	Brass
Swivel Nut	Brass
Thermowell	TAS: Brass 1/2" NPT standard, (3/4" and SS optional) TAS-LF: Lead free brass 1/2" NPT (3/4" optional)
Operating Pressure	Maximum 710 psi (50 kg/cm <sup>2</sup> )
Ambient Temperature	-40°F to 122°F (-40°C to 50°C)
Process Temperature	-40°F to 400°F (-40°C to 204°C)
Accuracy	±2% of full scale
Enclosure Rating	IP50

### TAS Order Codes (products in bold are normally in stock)

Range	Straight	Angle
-40°F to 110°F & -40°C to 40°C	<b>TAS130</b>	<b>TAS140</b>
20°F to 180°F & -5°C to 80°C	<b>TAS131</b>	<b>TAS141</b>
30°F to 240°F & 0°C to 115°C	<b>TAS132</b>	<b>TAS150</b>
30°F to 300°F & 0°C to 150°C	<b>TAS134</b>	<b>TAS143</b>
50°F to 400°F & 10°C to 200°C	<b>TAS133</b>	TAS142

### Thermowell

Connection	Material	Code
1/2" NPT - Standard (Included with thermometer)	Brass	TAS62
1/2" NPT - Optional	304 SS	TAS62-1
3/4" NPT - Optional	Brass	TAS64
3/4" NPT - Optional	304 SS	TAS64-1

### TAS-LF Order Codes (products in bold are normally in stock)

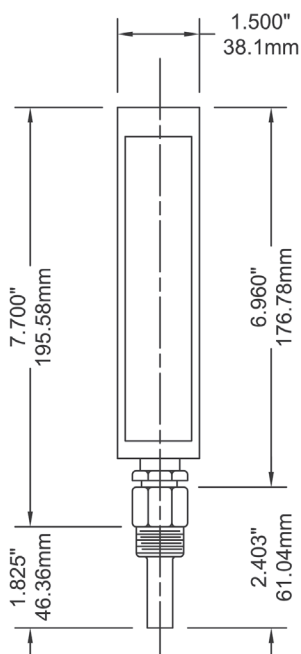
Range	Straight	Angle
-40°F to 110°F & -40°C to 40°C	<b>TAS130LF</b>	<b>TAS140LF</b>
20°F to 180°F & -5°C to 80°C	<b>TAS131LF</b>	<b>TAS141LF</b>
30°F to 240°F & 0°C to 115°C	<b>TAS132LF</b>	<b>TAS150LF</b>
30°F to 300°F & 0°C to 150°C	<b>TAS134LF</b>	<b>TAS143LF</b>
50°F to 400°F & 10°C to 200°C	<b>TAS133LF</b>	TAS142LF

### Thermowell (products in bold are normally in stock)

Connection	Material	Code
1/2" NPT - Standard (Included with thermometer)	Brass	<b>TAS62LF</b>
3/4" NPT - Optional	Brass	TAS64LF

Other ranges and connection sizes available upon request. 304 SS thermowell available upon request. Plastic lens available upon request. 3/4" NPT connection available upon request.

#### Straight



#### Angle

