



### Description & Features:

- StabilizR™ dampened movement minimizes effects of pulsation and vibration without liquid filling
- Full safety pattern solid front, blowout back
- ±0.5% accuracy
- Stainless steel full rotary movement
- Micrometer pointer for ease in calibration
- Under and overload stops
- 316L stainless steel or brass wetted parts standard
- Restrictor screws standard on dual scale (optional on single scale gauges)
- CRN registered
- 5 year warranty

### Applications:

- Used where operator safety is a must
- Ideally suited for process, chemical and petroleum industry applications where chemical compatibility and contamination is a concern
- Process where pulsation or vibration exist



Note: RoHS applies only to SS and Monel® internals versions

### Specifications

<b>Dial</b>	4.5" (115mm) aluminum with black and red markings
<b>Case</b>	Black phenolic with safety blowout back, solid front, integral back flange
<b>Solid Wall</b>	Phenolic
<b>Lens</b>	Polycarbonate
<b>Ring</b>	Phenolic
<b>Pointer</b>	Aluminum, anodized black, micrometer adjustable
<b>Socket</b>	316L SS or OT 58 brass
<b>Connection</b>	1/4" or 1/2" NPT
<b>Bourdon Tube</b>	316L SS, drawn seamless or phosphor bronze
<b>Movement</b>	304 SS protected with over/under stops (stabilized)
<b>Gasket Materials</b>	Silicone
<b>Welding</b>	TIG
<b>Over-pressure Limit</b>	25% for pressures up to 1500 psi/kPa 15% for pressures 1501 to 8700 psi/kPa 10% for pressures above 8701 psi/kPa
<b>Working Pressure</b>	Maximum 75% of full scale value
<b>Ambient/Process Temperature</b>	-40°F to 200°F (-40°C to 93°C)
<b>Accuracy</b>	±0.5% ANSI/ASME Grade 2A
<b>Enclosure Rating</b>	IP65

## Single Scale Order Codes (products in bold are normally in stock)

Connection	Bottom 1/4"	Back (LB) 1/4"	Bottom 1/4"	Back (LB) 1/4"	Bottom 1/2"	Back (LB) 1/2"
Socket, Tube	Brass	Brass	SS	SS	SS	SS
30" Hg Vacuum	PPS5080R1Z	PPS5280R1Z	PPS5040R1Z	PPS5340R1Z	PPS5060R1Z	PPS5460R1Z
30"-0-15 psi	PPS5120R1Z	PPS5220R1Z	PPS5130R1Z	PPS5330R1Z	PPS5140R1Z	PPS5440R1Z
30"-0-30 psi	PPS5121R1Z	PPS5221R1Z	PPS5131R1Z	PPS5331R1Z	PPS5141R1Z	PPS5441R1Z
30"-0-60 psi	PPS5122R1Z	PPS5222R1Z	PPS5132R1Z	PPS5332R1Z	PPS5142R1Z	PPS5442R1Z
30"-0-100 psi	PPS5123R1Z	PPS5223R1Z	PPS5133R1Z	PPS5333R1Z	PPS5143R1Z	PPS5443R1Z
30"-0-160 psi	PPS5124R1Z	PPS5224R1Z	PPS5134R1Z	PPS5334R1Z	PPS5144R1Z	PPS5444R1Z
30"-0-200 psi	PPS5125R1Z	PPS5225R1Z	PPS5135R1Z	PPS5335R1Z	PPS5145R1Z	PPS5445R1Z
30"-0-300 psi	PPS5126R1Z	PPS5226R1Z	PPS5136R1Z	PPS5336R1Z	PPS5146R1Z	PPS5446R1Z
0-15 psi	PPS5081R1Z	PPS5281R1Z	PPS5041R1Z	PPS5341R1Z	PPS5061R1Z	PPS5461R1Z
0-30 psi	PPS5082R1Z	PPS5282R1Z	PPS5042R1Z	PPS5342R1Z	PPS5062R1Z	PPS5462R1Z
0-60 psi	PPS5083R1Z	PPS5283R1Z	PPS5043R1Z	PPS5343R1Z	PPS5063R1Z	PPS5463R1Z
0-100 psi	PPS5084R1Z	PPS5284R1Z	PPS5044R1Z	<b>PPS5344R1Z</b>	PPS5064R1Z	PPS5464R1Z
0-160 psi	PPS5085R1Z	PPS5285R1Z	PPS5045R1Z	PPS5345R1Z	PPS5065R1Z	PPS5465R1Z
0-200 psi	PPS5086R1Z	PPS5286R1Z	PPS5046R1Z	PPS5346R1Z	<b>PPS5066R1Z</b>	PPS5466R1Z
0-300 psi	PPS5087R1Z	PPS5287R1Z	PPS5047R1Z	PPS5347R1Z	PPS5067R1Z	PPS5467R1Z
0-400 psi	PPS5088R1Z	PPS5288R1Z	PPS5048R1Z	PPS5348R1Z	PPS5068R1Z	PPS5468R1Z
0-600 psi	PPS5089R1Z	PPS5289R1Z	PPS5049R1Z	PPS5349R1Z	<b>PPS5069R1Z</b>	PPS5469R1Z
0-800 psi	-	-	PPS5058R1Z	PPS5358R1Z	PPS5078R1Z	PPS5478R1Z
0-1,000 psi	PPS5098R1Z	PPS5298R1Z	PPS5050R1Z	PPS5350R1Z	<b>PPS5070R1Z</b>	PPS5470R1Z
Connection Size	1/2"	1/2"	1/4"	1/4"	1/2"	1/2"
0-1,000 psi	PPS5090R1Z	PPS5290R1Z	PPS5050R1Z	PPS5350R1Z	PPS5070R1Z	PPS5470R1Z
0-1,500 psi	PPS5091R1Z	PPS5291R1Z	PPS5051R1Z	PPS5351R1Z	PPS5071R1Z	PPS5471R1Z
0-2,000 psi	PPS5092R1Z	PPS5292R1Z	PPS5052R1Z	PPS5352R1Z	<b>PPS5072R1Z</b>	PPS5472R1Z
0-3,000 psi	PPS5093R1Z	PPS5293R1Z	PPS5053R1Z	PPS5353R1Z	<b>PPS5073R1Z</b>	PPS5473R1Z
0-5,000 psi	PPS5094R1Z	PPS5294R1Z	PPS5054R1Z	PPS5354R1Z	PPS5074R1Z	PPS5474R1Z
0-10,000 psi	PPS5095R1Z	PPS5295R1Z	PPS5055R1Z	PPS5355R1Z	PPS5075R1Z	PPS5475R1Z
0-15,000 psi	PPS5096R1Z	PPS5296R1Z	PPS5056R1Z	PPS5356R1Z	PPS5076R1Z	PPS5476R1Z
0-20,000 psi	PPS5097R1Z	PPS5297R1Z	PPS5057R1Z	PPS5357R1Z	PPS5077R1Z	PPS5477R1Z

Note: Restrictor screws are not standard on single scale gauges

Other ranges and connection sizes available upon request. For scale change, refer to How to Order Guide for scale codes. 1/2" NPT brass available on ranges below 1,000 psi/kPa. **For options, attach suffix to end of order code: i.e.**

**PPS5284Z-FMR for FLUSH MOUNTED RING.**

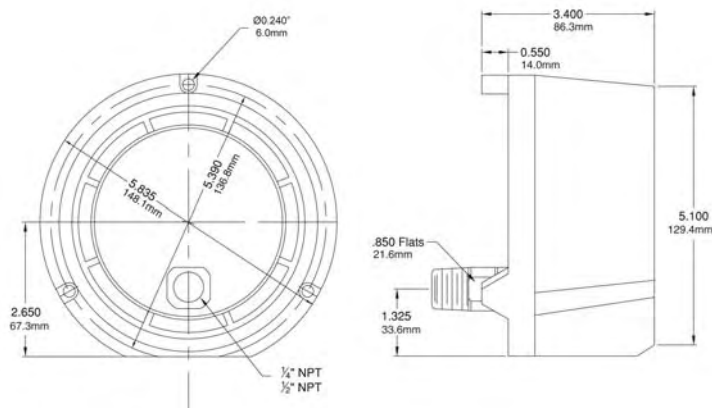
### Option suffix:

CS = Carbon steel socket/stainless steel tube

HCSF = 4.5" (115mm) solid front hinged case (back connection only)

FMR = Flush mounted ring

### 4.5" Back Connection

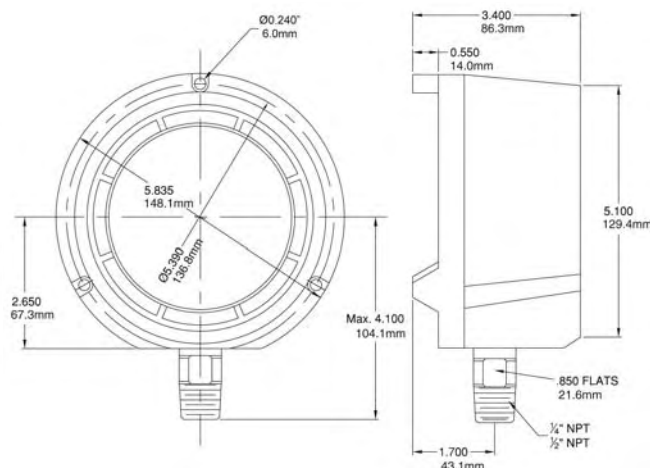


MS = Monel® tube and socket

SG-45 = 4.5" (115mm) safety glass

REST = Restrictor screw

### 4.5" Bottom Connection



### Dual Scale Order Codes (products in bold are normally in stock)

Connection	Bottom 1/4"	Back (LB) 1/4"	Bottom 1/4"	Back (LB) 1/4"	Bottom 1/2"	Back (LB) 1/2"
Socket, Tube	Brass	Brass	SS	SS	SS	SS
30" Hg Vacuum/kPa	PPS5080Z	PPS5280Z	<b>PPS5040Z</b>	PPS5340Z	PPS5060Z	PPS5460Z
30"-0-15 psi/kPa	PPS5120Z	PPS5220Z	PPS5130Z	PPS5330Z	PPS5140Z	PPS5440Z
30"-0-30 psi/kPa	<b>PPS5121Z</b>	PPS5221Z	PPS5131Z	PPS5331Z	PPS5141Z	PPS5441Z
30"-0-60 psi/kPa	PPS5122Z	PPS5222Z	PPS5132Z	PPS5332Z	PPS5142Z	PPS5442Z
30"-0-100 psi/kPa	PPS5123Z	PPS5223Z	PPS5133Z	PPS5333Z	<b>PPS5143Z</b>	PPS5443Z
30"-0-160 psi/kPa	PPS5124Z	PPS5224Z	PPS5134Z	PPS5334Z	PPS5144Z	PPS5444Z
30"-0-200 psi/kPa	PPS5125Z	PPS5225Z	PPS5135Z	PPS5335Z	<b>PPS5145Z</b>	PPS5445Z
30"-0-300 psi/kPa	PPS5126Z	PPS5226Z	PPS5136Z	PPS5336Z	PPS5146Z	PPS5446Z
0-15 psi/kPa	<b>PPS5081Z</b>	PPS5281Z	<b>PPS5041Z</b>	PPS5341Z	<b>PPS5061Z</b>	PPS5461Z
0-30 psi/kPa	<b>PPS5082Z</b>	PPS5282Z	PPS5042Z	PPS5342Z	<b>PPS5062Z</b>	PPS5462Z
0-60 psi/kPa	<b>PPS5083Z</b>	PPS5283Z	PPS5043Z	PPS5343Z	PPS5063Z	PPS5463Z
0-100 psi/kPa	PPS5084Z	PPS5284Z	PPS5044Z	PPS5344Z	PPS5064Z	PPS5464Z
0-160 psi/kPa	PPS5085Z	PPS5285Z	<b>PPS5045Z</b>	PPS5345Z	<b>PPS5065Z</b>	PPS5465Z
0-200 psi/kPa	PPS5086Z	PPS5286Z	PPS5046Z	PPS5346Z	PPS5066Z	PPS5466Z
0-300 psi/kPa	PPS5087Z	PPS5287Z	PPS5047Z	PPS5347Z	PPS5067Z	PPS5467Z
0-400 psi/kPa	PPS5088Z	PPS5288Z	PPS5048Z	PPS5348Z	<b>PPS5068Z</b>	PPS5468Z
0-600 psi/kPa	PPS5089Z	PPS5289Z	PPS5049Z	PPS5349Z	<b>PPS5069Z</b>	PPS5469Z
0-800 psi/kPa	PPS5099Z	PPS5299Z	PPS5058Z	PPS5358Z	PPS5078Z	PPS5478Z
0-1,000 psi/kPa	PPS5098Z	PPS5298Z	PPS5050Z	PPS5350Z	<b>PPS5070Z</b>	PPS5470Z
Connection Size	1/2"	1/2"	1/4"	1/4"	1/2"	1/2"
0-800 psi/kPa	PPS5188Z	PPS5198Z	PPS5058Z	PPS5358Z	PPS5078Z	PPS5478Z
0-1,000 psi/kPa	PPS5090Z	PPS5290Z	PPS5050Z	PPS5350Z	PPS5070Z	PPS5470Z
0-1,500 psi/kPa	PPS5091Z	PPS5291Z	PPS5051Z	<b>PPS5351Z</b>	<b>PPS5071Z</b>	PPS5471Z
0-2,000 psi/kPa	<b>PPS5092Z</b>	PPS5292Z	<b>PPS5052Z</b>	PPS5352Z	<b>PPS5072Z</b>	PPS5472Z
0-3,000 psi/kPa	<b>PPS5093Z</b>	PPS5293Z	<b>PPS5053Z</b>	PPS5353Z	<b>PPS5073Z</b>	PPS5473Z
0-5,000 psi/kPa	<b>PPS5094Z</b>	PPS5294Z	<b>PPS5054Z</b>	PPS5354Z	PPS5074Z	PPS5474Z
0-10,000 psi/kPa	<b>PPS5095Z</b>	PPS5295Z	<b>PPS5055Z</b>	PPS5355Z	<b>PPS5075Z</b>	PPS5475Z
0-15,000 psi/kPa	PPS5096Z	PPS5296Z	<b>PPS5056Z</b>	PPS5356Z	<b>PPS5076Z</b>	PPS5476Z
0-20,000 psi/kPa	PPS5097Z	PPS5297Z	<b>PPS5057Z</b>	PPS5357Z	<b>PPS5077Z</b>	PPS5477Z

Other ranges and connection sizes available upon request. For scale change, refer to How to Order Guide for scale codes. 1/2" NPT brass available on ranges below 1,000 psi/kPa. **For options, attach suffix to end of order code: i.e. PPS5284Z-FMR for FLUSH MOUNTED RING.**

#### Option suffix:

CS = Carbon steel socket/stainless steel tube  
 HCSF = 4.5" (115mm) solid front hinged case (back connection only)  
 FMR = Flush mounted ring

MS = Monel® tube and socket  
 SG-45 = 4.5" (115mm) safety glass

Monel® is a registered trademark of Inco Alloys International