

PEM Economy Gauge

Economy



Description & Features:

- Most economical, all-purpose pressure gauge
- 1.5" (40mm) to 4" (100mm) sizes
- Friction bezel rings
- Black steel case
- Brass internals
- $\pm 3-2-3\%$ accuracy
- CRN registered
- 5 year warranty

Applications:

- Plumbing, heating, air conditioning, pneumatic, hydraulic, water tanks, air compressors, OEM

Specifications

Dial	1.5" (40mm), 2" (50mm), 2.5" (63mm), 4" (100mm) white aluminum with black and red markings
Case	Steel, painted black (plastic available)
Lens	1.5" (40mm), 2" (50mm), 2.5" (63mm): Polycarbonate 4" (100mm): Glass
Ring	1.5" (40mm), 2" (50mm): Steel, painted black 2.5" (63mm), 4" (100mm): Steel, chrome plated
Socket	Brass
Connection	$\frac{1}{8}$ " NPT or $\frac{1}{4}$ " NPT standard
Bourdon Tube	Phosphor bronze
Movement	Brass
Pointer	Aluminum, black
Welding	Silver alloy
Over-Pressure Limit	25% of full scale value
Working Pressure	Maximum 75% of full scale value
Ambient/Process Temperature	-40°F to 150°F (-40°C to 65°C)
Accuracy	$\pm 3-2-3\%$ ANSI/ASME Grade B
Enclosure Rating	IP52

Order Codes (products in bold are normally in stock)

Dial Size	1.5" (40mm)		2" (50mm)					2.5" (63mm)		4" (100mm)
Connection	¹ / ₈ " Bottom	¹ / ₈ " Centre Back	¹ / ₈ " Bottom	¹ / ₈ " Centre Back	¹ / ₄ " Bottom	¹ / ₄ " psi Only Bottom	¹ / ₄ " Centre Back	¹ / ₄ " Bottom	¹ / ₄ " Centre Back	¹ / ₄ " Bottom
Case Material	Steel	Steel	Steel	Steel	Steel	Plastic	Steel	Steel	Steel	Steel
30" Hg. vacuum/kPa	PEM1297	PEM1397	PEM195	PEM1424	PEM135	PEM1398	PEM1428	PEM210	PEM1431	PEM220
30"/0/15 psi/kPa	-	-	-	-	-	-	-	PEM152	-	-
30"/0/30 psi/kPa	-	-	-	-	-	-	-	PEM153	-	-
30"/0/60 psi/kPa	-	-	-	-	-	-	-	PEM154	-	-
30"/0/100 psi/kPa	-	-	-	-	-	-	-	PEM155	-	-
0 - 15 psi/kPa	PEM1299	PEM1399	PEM196	PEM1425	PEM136	-	PEM1429	PEM211	PEM1436	-
0 - 30 psi/kPa	PEM1300	PEM1400	PEM206	PEM1402	PEM199	PEM200	PEM1403	PEM212	PEM1437	PEM221
0 - 60 psi/kPa	PEM1301	PEM1401	PEM207	PEM1404	PEM201	PEM194	PEM1405	PEM213	PEM1438	PEM222
0 - 100 psi/kPa	PEM1320	PEM1420	PEM208	PEM1406	PEM202	-	PEM1407	PEM214	PEM1439	PEM223
0 - 160 psi/kPa	PEM1321	PEM1421	PEM197	PEM1408	PEM203	-	PEM1409	PEM215	PEM1440	PEM224
0 - 200 psi/kPa	PEM1322	PEM1422	PEM209	PEM1426	PEM204	-	PEM1410	PEM216	PEM1441	PEM225
0 - 300 psi/kPa	PEM1323	PEM1423	PEM198	PEM1427	PEM205	-	PEM1411	PEM217	PEM1442	PEM226
0 - 400 psi/kPa	-	-	-	-	-	-	-	PEM219	-	-
0 - 600 psi/kPa	-	-	-	-	-	-	-	PEM218	PEM3413	-
0 - 1,000 psi/kPa	-	-	-	-	-	-	-	PEM290	-	-
0 - 3,000 psi/kPa	-	-	-	-	-	-	-	PEM291	-	-
0 - 5,000 psi/kPa	-	-	-	-	-	-	-	PEM292	-	-

Other ranges and connection sizes available upon request. For scale change, refer to How to Order Guide for scale codes. Lead free construction available. **For options, attach suffix to end of order code: i.e. PEM1399-GL15 for 1.5" GLASS LENS.**

Option suffix:

GL15 = glass lens for 1.5" dial

GL2 = glass lens for 2" dial

GL25 = glass lens for 2.5" dial

ECASE15SS BK = 1.5" SS back case connection

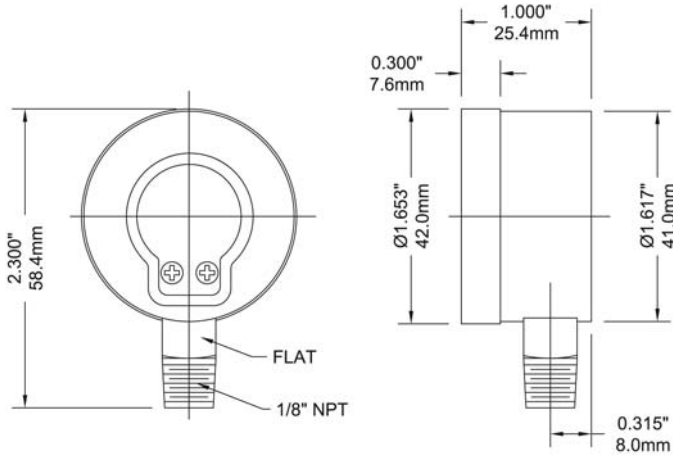
ECASE15SS BTM = 1.5" SS bottom connection

ECASE20SSBK = 2" SS Case back connection

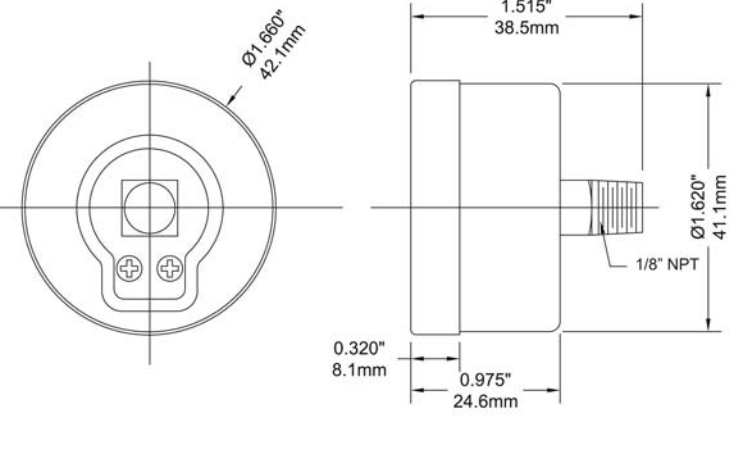
ECASE20SSBTM = 2" SS Case bottom connection

Note: For 1.5" to 2" SS internals, please see PRL Series Regulator Gauges.

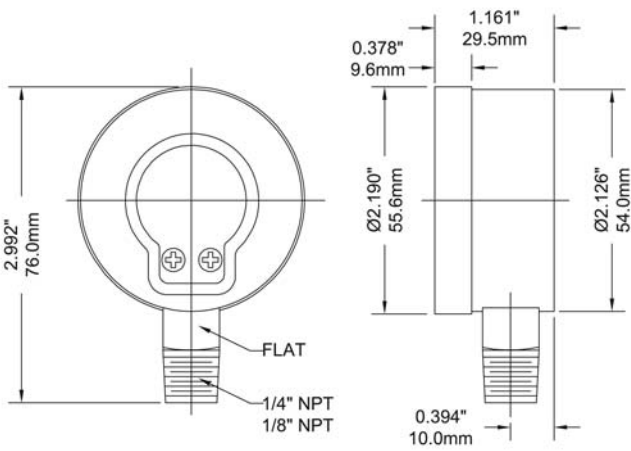
1.5" Bottom Connection



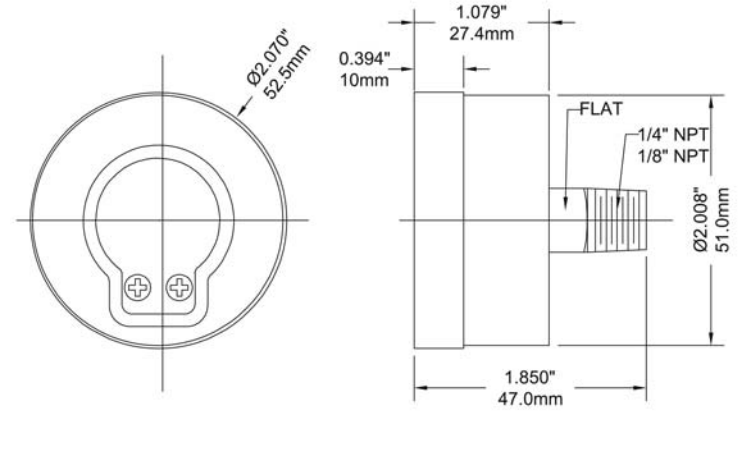
1.5" Back Connection



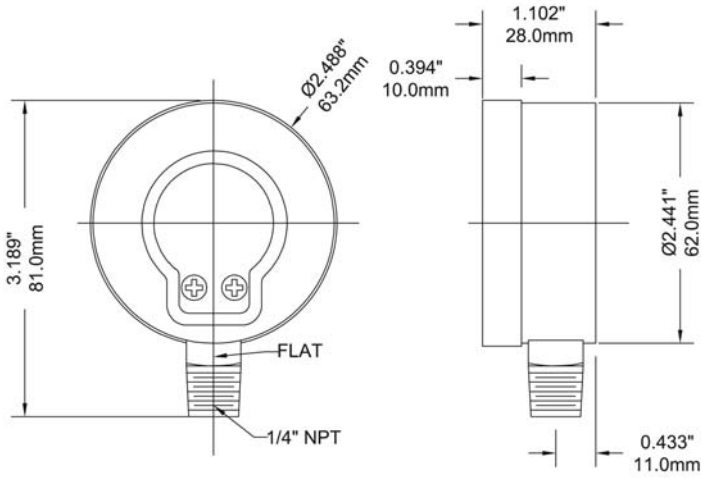
2" Bottom Connection



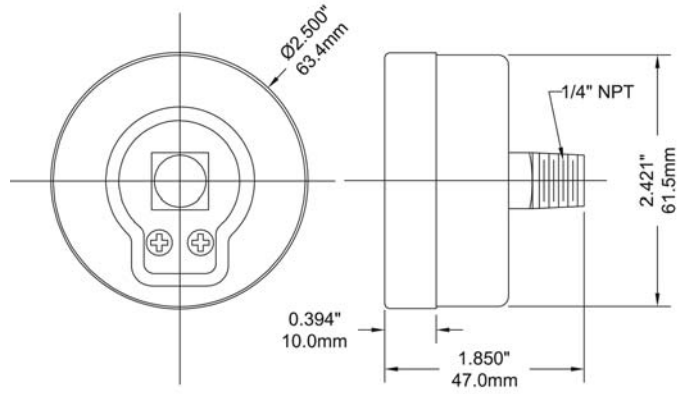
2" Back Connection



2.5" Bottom Connection



2.5" Back Connection



4" Bottom Connection

