

Description & Features:

- Heavy duty, highly accurate aluminum case gauge
- $\pm 0.5\%$ accuracy
- Brass or stainless steel internals
- Large, easy-to-read dial
- ASME B40.100 compliant
- CRN registered
- 5 year warranty

Applications:

- Use on air, steam, oil, fresh water
- Boiler and control room

1. Back Connection with Standard Front Flange
2. Optional Hinged Case Back Connection

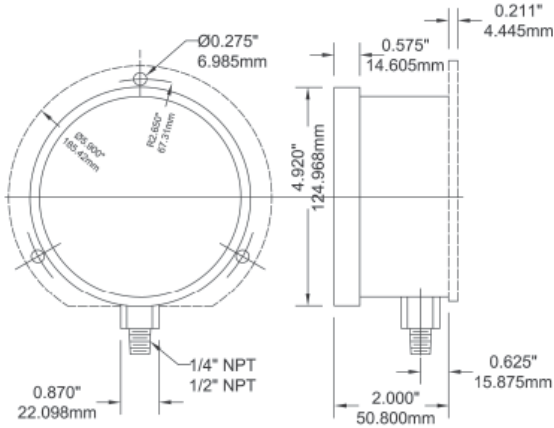
Specifications	Stainless Steel Internals	Brass Internals
Dial	4.5" (115mm), 6" (150mm), 8.5" (215mm) and 10" (250mm) white aluminum	4.5" (115mm), 6" (150mm), 8.5" (215mm) and 10" (250mm) white aluminum
Case	Aluminum painted black	Aluminum painted black
Front Flange	4.5" (115mm), 6" (150mm): SS, polished 8.5" (215mm), 10" (250mm): Aluminum painted black	4.5" (115mm), 6" (150mm): SS, polished 8.5" (215mm), 10" (250mm): Aluminum painted black
Back Flange	4.5" (115mm), 6" (150mm): Steel painted black (optional) 8.5" (215mm), 10" (250mm): Aluminum, painted black	4.5" (115mm), 6" (150mm): Steel painted black (optional) 8.5" (215mm), 10" (250mm): Aluminum, painted black
Lens	4.5" (115mm), 6" (150mm): Glass 8.5" (200mm), 10" (250mm): Polycarbonate	4.5" (115mm), 6" (150mm): Glass 8.5" (200mm), 10" (250mm): Polycarbonate
Ring	4.5" (115mm), 6" (150mm): SS, polished 8.5" (215mm), 10" (250 mm): Anodized aluminum	4.5" (115mm), 6" (150mm): SS, polished 8.5" (215mm), 10" (250 mm): Anodized aluminum
Socket	316L SS	Brass
Connection	1/4" NPT for range 600 psi or lower, 1/2" NPT for range 1,000 psi or higher	1/4" NPT for range 600 psi or lower, 1/2" NPT for range 1,000 psi or higher
Bourdon Tube	316L SS	Phosphor bronze for ranges up to 600 psi (4,137 kPa) 316L SS for ranges over 600 psi (4,137 kPa)
Movement	304 SS	Brass
Pointer	Aluminum, anodized black, micrometer adjustable	Aluminum, anodized black, micrometer adjustable
Welding	316L SS TIG Argonarc	Tin/copper alloy for ranges up to 600 psi (4,137 kPa) Silver alloy for ranges over 600 psi (4,137 kPa)
Over-pressure Limit	30% for pressures up to 600 psi (4,137 kPa), 25% for pressures over 600 - 1,400 psi (4,137 - 9,653 kPa), 15% for pressures over 1,400 psi (9,653 kPa)	30% for pressures up to 600 psi (4,137 kPa), 25% for pressures over 600 - 1,400 psi (4,137 - 9,653 kPa), 15% for pressures over 1,400 psi (9,653 kPa)
Working Pressure	Maximum 75% of full scale value	Maximum 75% of full scale value
Ambient/Process Temperature	-40°F to 150°F (-40°C to 65°C)	-40°F to 150°F (-40°C to 65°C)
Accuracy	$\pm 0.5\%$ ANSI/ASME Grade 2A	$\pm 0.5\%$ ANSI/ASME Grade 2A
Enclosure Rating	IP52	IP52

Dual Scale Order Codes (products in italics are normally available in 3-5 days)

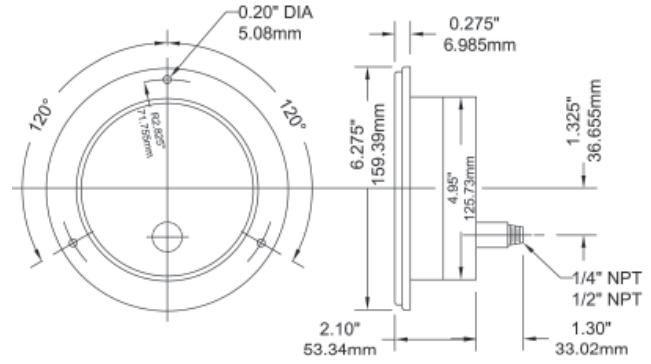
	Dial Size	4.5" (115mm)				6" (150mm)			
	Connection	Bottom	Back (LB)	Bottom	Back (LB)	Bottom	Back (LB)	Bottom	Back (LB)
	Movement, Socket, Tube	Brass		SS		Brass		SS	
1/4"	30" Hg Vac/kPa	<i>P3S6000</i>	<i>P3S6000B</i>	<i>P3S6025</i>	<i>P3S6025B</i>	<i>P3S6075</i>	<i>P3S6075B</i>	<i>P3S6260</i>	<i>P3S6260B</i>
	30"/0/15 psi/kPa	<i>P3S6001</i>	<i>P3S6001B</i>	<i>P3S6026</i>	<i>P3S6026B</i>	<i>P3S6076</i>	<i>P3S6076B</i>	<i>P3S6261</i>	<i>P3S6261B</i>
	30"/0/30 psi/kPa	<i>P3S6002</i>	<i>P3S6002B</i>	<i>P3S6027</i>	<i>P3S6027B</i>	<i>P3S6077</i>	<i>P3S6077B</i>	<i>P3S6162</i>	<i>P3S6162B</i>
	30"/0/60 psi/kPa	<i>P3S6003</i>	<i>P3S6003B</i>	<i>P3S6028</i>	<i>P3S6028B</i>	<i>P3S6078</i>	<i>P3S6078B</i>	<i>P3S6163</i>	<i>P3S6163B</i>
	30"/0/100 psi/kPa	<i>P3S6004</i>	<i>P3S6004B</i>	<i>P3S6029</i>	<i>P3S6029B</i>	<i>P3S6079</i>	<i>P3S6079B</i>	<i>P3S6164</i>	<i>P3S6164B</i>
	30"/0/160 psi/kPa	<i>P3S6005</i>	<i>P3S6005B</i>	<i>P3S6030</i>	<i>P3S6030B</i>	<i>P3S6080</i>	<i>P3S6080B</i>	<i>P3S6265</i>	<i>P3S6265B</i>
	30"/0/200 psi/kPa	<i>P3S6006</i>	<i>P3S6006B</i>	<i>P3S6031</i>	<i>P3S6031B</i>	<i>P3S6081</i>	<i>P3S6081B</i>	<i>P3S6266</i>	<i>P3S6266B</i>
	30"/0/300 psi/kPa	<i>P3S6007</i>	<i>P3S6007B</i>	<i>P3S6032</i>	<i>P3S6032B</i>	<i>P3S6082</i>	<i>P3S6082B</i>	<i>P3S6267</i>	<i>P3S6267B</i>
	0/15 psi/kPa	<i>P3S6008</i>	<i>P3S6008B</i>	<i>P3S6033</i>	<i>P3S6033B</i>	<i>P3S6083</i>	<i>P3S6083B</i>	<i>P3S6098</i>	<i>P3S6098B</i>
	0/30 psi/kPa	<i>P3S6009</i>	<i>P3S6009B</i>	<i>P3S6034</i>	<i>P3S6034B</i>	<i>P3S6084</i>	<i>P3S6084B</i>	<i>P3S6099</i>	<i>P3S6099B</i>
	0/60 psi/kPa	<i>P3S6010</i>	<i>P3S6010B</i>	<i>P3S6035</i>	<i>P3S6035B</i>	<i>P3S6085</i>	<i>P3S6085B</i>	<i>P3S6100</i>	<i>P3S6100B</i>
	0/100 psi/kPa	<i>P3S6011</i>	<i>P3S6011B</i>	<i>P3S6036</i>	<i>P3S6036B</i>	<i>P3S6086</i>	<i>P3S6086B</i>	<i>P3S6101</i>	<i>P3S6101B</i>
	0/160 psi/kPa	<i>P3S6012</i>	<i>P3S6012B</i>	<i>P3S6037</i>	<i>P3S6037B</i>	<i>P3S6087</i>	<i>P3S6087B</i>	<i>P3S6102</i>	<i>P3S6102B</i>
	0/200 psi/kPa	<i>P3S6013</i>	<i>P3S6013B</i>	<i>P3S6038</i>	<i>P3S6038B</i>	<i>P3S6088</i>	<i>P3S6088B</i>	<i>P3S6103</i>	<i>P3S6103B</i>
	0/300 psi/kPa	<i>P3S6014</i>	<i>P3S6014B</i>	<i>P3S6039</i>	<i>P3S6039B</i>	<i>P3S6089</i>	<i>P3S6089B</i>	<i>P3S6104</i>	<i>P3S6104B</i>
	0/400 psi/kPa	<i>P3S6015</i>	<i>P3S6015B</i>	<i>P3S6040</i>	<i>P3S6040B</i>	<i>P3S6090</i>	<i>P3S6090B</i>	<i>P3S6105</i>	<i>P3S6105B</i>
0/600 psi/kPa	<i>P3S6016</i>	<i>P3S6016B</i>	<i>P3S6041</i>	<i>P3S6041B</i>	<i>P3S6091</i>	<i>P3S6091B</i>	<i>P3S6106</i>	<i>P3S6106B</i>	
1/2"	0/1,000 psi/kPa	<i>P3S6017</i>	<i>P3S6017B</i>	<i>P3S6042</i>	<i>P3S6042B</i>	<i>P3S6092</i>	<i>P3S6092B</i>	<i>P3S6107</i>	<i>P3S6107B</i>
	0/1,500 psi/kPa	<i>P3S6018</i>	<i>P3S6018B</i>	<i>P3S6043</i>	<i>P3S6043B</i>	<i>P3S6093</i>	<i>P3S6093B</i>	<i>P3S6108</i>	<i>P3S6108B</i>
	0/2,000 psi/kPa	<i>P3S6019</i>	<i>P3S6019B</i>	<i>P3S6044</i>	<i>P3S6044B</i>	<i>P3S6094</i>	<i>P3S6094B</i>	<i>P3S6109</i>	<i>P3S6109B</i>
	0/3,000 psi/kPa	<i>P3S6020</i>	<i>P3S6020B</i>	<i>P3S6045</i>	<i>P3S6045B</i>	<i>P3S6095</i>	<i>P3S6095B</i>	<i>P3S6110</i>	<i>P3S6110B</i>
	0/5,000 psi/kPa	<i>P3S6021</i>	<i>P3S6021B</i>	<i>P3S6046</i>	<i>P3S6046B</i>	<i>P3S6096</i>	<i>P3S6096B</i>	<i>P3S6111</i>	<i>P3S6111B</i>
	0/10,000 psi/kPa	<i>P3S6022</i>	<i>P3S6022B</i>	<i>P3S6047</i>	<i>P3S6047B</i>	<i>P3S6170</i>	<i>P3S6170B</i>	<i>P3S6180</i>	<i>P3S6180B</i>
	0/15,000 psi/kPa	<i>P3S6023</i>	<i>P3S6023B</i>	<i>P3S6160</i>	<i>P3S6160B</i>	<i>P3S6171</i>	<i>P3S6171B</i>	<i>P3S6181</i>	<i>P3S6181B</i>
	0/20,000 psi/kPa	<i>P3S6024</i>	<i>P3S6024B</i>	<i>P3S6161</i>	<i>P3S6161B</i>	<i>P3S6172</i>	<i>P3S6172B</i>	<i>P3S6182</i>	<i>P3S6182B</i>
1/4"	Dial Size	8.5" (215mm)				10" (250mm)			
	30" Hg Vac/kPa	P3S6200	P3S6200B	P3S6300	P3S6300B	P3S6400	P3S6400B	P3S6500	P3S6500B
	30"/0/15 psi/kPa	P3S6201	P3S6201B	P3S6301	P3S6301B	P3S6401	P3S6401B	P3S6501	P3S6501B
	30"/0/30 psi/kPa	P3S6202	P3S6202B	P3S6302	P3S6302B	P3S6402	P3S6402B	P3S6502	P3S6502B
	30"/0/60 psi/kPa	P3S6203	P3S6203B	P3S6303	P3S6303B	P3S6403	P3S6403B	P3S6503	P3S6503B
	30"/0/100 psi/kPa	P3S6204	P3S6204B	P3S6304	P3S6304B	P3S6404	P3S6404B	P3S6504	P3S6504B
	30"/0/160 psi/kPa	P3S6205	P3S6205B	P3S6305	P3S6305B	P3S6405	P3S6405B	P3S6505	P3S6505B
	30"/0/200 psi/kPa	P3S6206	P3S6206B	P3S6306	P3S6306B	P3S6406	P3S6406B	P3S6506	P3S6506B
	30"/0/300 psi/kPa	P3S6207	P3S6207B	P3S6307	P3S6307B	P3S6407	P3S6407B	P3S6507	P3S6507B
	0/15 psi/kPa	P3S6208	P3S6208B	P3S6308	P3S6308B	P3S6408	P3S6408B	P3S6508	P3S6508B
	0/30 psi/kPa	P3S6209	P3S6209B	P3S6309	P3S6309B	P3S6409	P3S6409B	P3S6509	P3S6509B
	0/60 psi/kPa	P3S6210	P3S6210B	P3S6310	P3S6310B	P3S6410	P3S6410B	P3S6510	P3S6510B
	0/100 psi/kPa	P3S6211	P3S6211B	P3S6311	P3S6311B	P3S6411	P3S6411B	P3S6511	P3S6511B
	0/160 psi/kPa	P3S6212	P3S6212B	P3S6312	P3S6312B	P3S6412	P3S6412B	P3S6512	P3S6512B
	0/200 psi/kPa	P3S6213	P3S6213B	P3S6313	P3S6313B	P3S6413	P3S6413B	P3S6513	P3S6513B
	0/300 psi/kPa	P3S6214	P3S6214B	P3S6314	P3S6314B	P3S6414	P3S6414B	P3S6514	P3S6514B
0/400 psi/kPa	P3S6215	P3S6215B	P3S6315	P3S6315B	P3S6415	P3S6415B	P3S6515	P3S6515B	
0/600 psi/kPa	P3S6216	P3S6216B	P3S6316	P3S6316B	P3S6416	P3S6416B	P3S6516	P3S6516B	
1/2"	0/1,000 psi/kPa	P3S6217	P3S6217B	P3S6317	P3S6317B	P3S6417	P3S6417B	P3S6517	P3S6517B
	0/1,500 psi/kPa	P3S6218	P3S6218B	P3S6318	P3S6318B	P3S6418	P3S6418B	P3S6518	P3S6518B
	0/2,000 psi/kPa	P3S6219	P3S6219B	P3S6319	P3S6319B	P3S6419	P3S6419B	P3S6519	P3S6519B
	0/3,000 psi/kPa	P3S6220	P3S6220B	P3S6320	P3S6320B	P3S6420	P3S6420B	P3S6520	P3S6520B
	0/5,000 psi/kPa	P3S6221	P3S6221B	P3S6321	P3S6321B	P3S6421	P3S6421B	P3S6521	P3S6521B
	0/10,000 psi/kPa	P3S6222	P3S6222B	P3S6322	P3S6322B	P3S6422	P3S6422B	P3S6522	P3S6522B
	0/15,000 psi/kPa	P3S6223	P3S6223B	P3S6323	P3S6323B	P3S6423	P3S6423B	P3S6523	P3S6523B
	0/20,000 psi/kPa	P3S6224	P3S6224B	P3S6324	P3S6324B	P3S6424	P3S6424B	P3S6524	P3S6524B

Other ranges and connection sizes available upon request. For scale change, refer to How to Order Guide for scale codes.

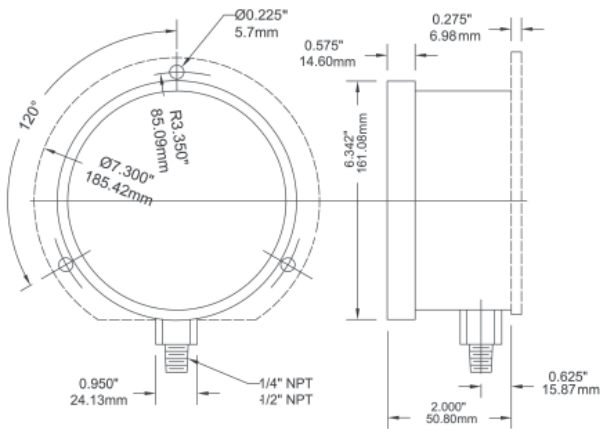
4.5" Bottom Connection with Back Flange



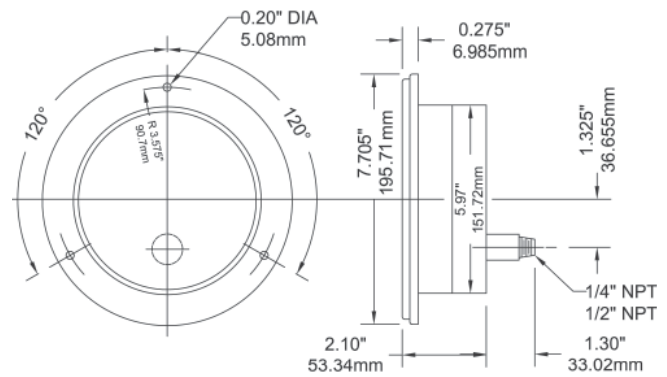
4.5" Back Connection with Front Flange



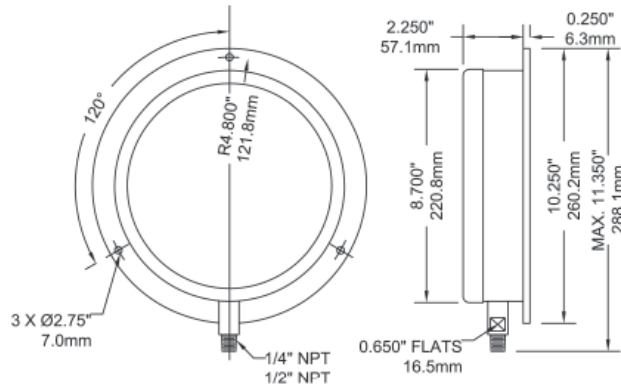
6" Bottom Connection with Back Flange



6" Back Connection with Front Flange



8.5" Bottom Connection with Back Flange



10" Back Connection with Front Flange

