



**Model Number**

**NJ2-D-US-1.250-V93**  
Cylinder Position Switch

**Features**

- 2-wire AC/DC
- Weld Immune
- Sensing range 2 mm
- 3000 psi rating

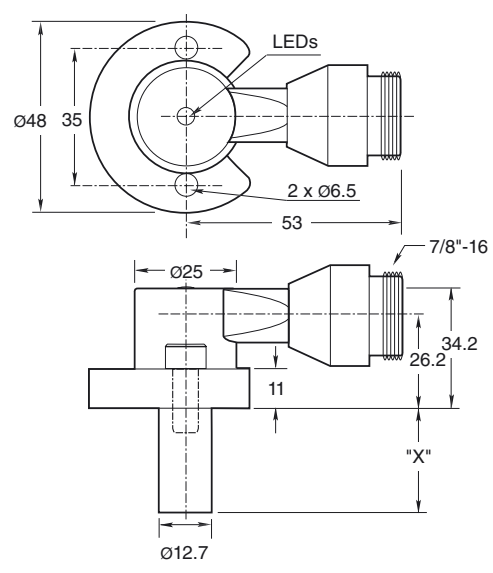
**Accessories**

**V93-G-YE2M-STOOW**  
Female cordset, 7/8" - 16 UNF, 3-pin, PUR cable  
**SPACER 0.160 TO 0.375 : X.XXX"**  
Spacer for cylinder switches  
**SPACER 0.380 TO 0.875 : X.XXX"**  
Spacer for cylinder switches

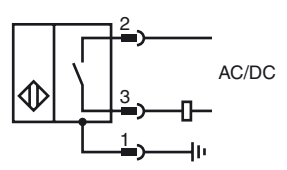
**Technical Data**

General specifications			
Switching element function		AC/DC	NO
Rated operating distance	$s_n$	2 mm	
Installation		flush	
Output polarity		AC/DC	NO
Assured operating distance	$s_a$	0 ... 1.62 mm	
Reduction factor $r_{AI}$		0.4	
Reduction factor $r_{304}$		0.85	
Nominal ratings			
Operating voltage	$U_B$	20 ... 250 V AC/20 ... 300 V DC	
Switching frequency	f	0 ... 20 Hz	
Hysteresis	H	10 ... 20 % 15 typ.	
Reverse polarity protection		yes	
Short-circuit protection		yes	
Voltage drop	$U_d$	$\leq 7$ V	
Momentary current (20 ms, 0.1 Hz)		$\leq 3$ A	
Operating current	$I_L$	8 ... 300 mA	
Off-state current	$I_r$	$< 1.7$ mA	
Mag. Field strength, AC fields		250 mT	
Mag. Field strength, DC fields		100 mT	
Limit data			
Operating pressure dynamically		3000 psi	
Indicators/operating means			
LED green		Power on	
LED red		Output status	
LED red/green		Short circuit/overload indication	
Standard conformity			
Standards		EN 60947-5-2	
Ambient conditions			
Ambient temperature		-25 ... 70 °C (-13 ... 158 °F)	
Mechanical specifications			
Connection type		Connector 7/8"-16 UN , 3-pin	
Degree of protection		IP67	
Material		Housing: zinc Probe: aluminum	
Note		X = 1.250 in (31.8 mm)	
Approvals and certificates			
UL approval		cULus Listed, General Purpose	
CSA approval		cCSAus Listed, General Purpose	

**Dimensions**

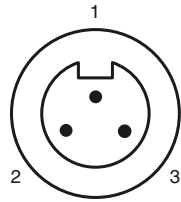


**Electrical Connection**



Release date: 2015-04-09 16:03 Date of issue: 2015-04-09 905109\_eng.xml

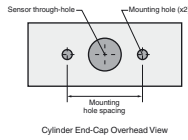
Pinout



Wire colors

1	GN	(green)
2	BK	(black)
3	WH	(white)

**NPT Type Mounting Holes:**  
 1000 and 3000 psi NPT Types:  
 Mounting hole screw thread shall be 1/4" - 20.  
 Minimum thread engagement depth is 0.250" (6.35 mm)  
 Hole spacing is 35 mm center to center.



**Mounting Screws:**  
 Standard 1000 and 3000 psi models use two, self-locking 1/4"- 20 socket head cap screws (provided).  
 Recommended tightening torque: 150 in lb (16.95 N-m).

**Important:** When using spacers, make certain to maintain the 0.250" (6.35 mm) minimum mounting screw thread engagement.

Release date: 2015-04-09 16:03 Date of issue: 2015-04-09 905109\_eng.xml