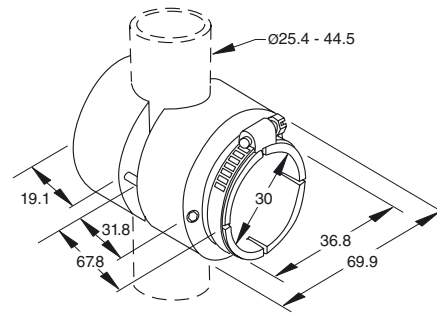




Dimensions



Technical data

Mechanical specifications

Material	Housing: plastic Fasteners: stainless steel
----------	--

Model Number

SG30

Mounting aid

Features

- Sight glass mount
- For use with 30 mm diameter sensors

Application

Allows for easy sensor adjustment without disturbing the fluid inside the tank.