



Box terminal, 3p, up to 630 A

Part no. **NZM3-XKC**  
 Catalog No. **260042**

EL-Nummer **4358805**  
 (Norway)

Similar to illustration

### Delivery program

Number of conductors			3 pole
Accessories			Box terminal
Rated current	$I_n$	A	$\leq 630$
For use with			NZM3(-4), PN3(-4), N(S)3(-4)
<b>Terminal capacities</b>			
Type of conductor			
Cu/Al cable			Cu cable
Terminal capacities			
flexible		mm <sup>2</sup>	1 x 35 - 240 2 x 16 - 120
AWG/kcmil		mm <sup>2</sup>	1 x 2 - 500
<b>Terminal capacities</b>			
Cu strip (number of segments x width x segment thickness)		mm <sup>2</sup>	up to 500 A: min. 6 x 16 x 0.8 max. 10 x 24 x 1.0 Or max. 11 x 21 x 1.0 630 A: 10 x 24 x 1.0 + 5 x 24 x 1.0 oder (2 x) 8 x 24 x 1.0

**Notes**

Type suffix and type contain parts for a circuit-breaker side at top or bottom for 3 or 4-pole circuit-breakers.

Conversion kit for circuit-breaker with screw connection.

Fitted within the switch housing

O = for fitting at the top

U = for fitting at the bottom

$U_g \geq 525$  V AC:

- Use NZM3(-4)-XKSA cover.

Use with flexible and highly flexible conductors ferrules, note the max. terminal capacity when using ferrules.

### Design verification as per IEC/EN 61439

IEC/EN 61439 design verification		
10.2 Strength of materials and parts		
10.2.2 Corrosion resistance		Meets the product standard's requirements.
10.2.3.1 Verification of thermal stability of enclosures		Meets the product standard's requirements.
10.2.3.2 Verification of resistance of insulating materials to normal heat		Meets the product standard's requirements.
10.2.3.3 Verification of resistance of insulating materials to abnormal heat and fire due to internal electric effects		Meets the product standard's requirements.
10.2.4 Resistance to ultra-violet (UV) radiation		Meets the product standard's requirements.
10.2.5 Lifting		Does not apply, since the entire switchgear needs to be evaluated.
10.2.6 Mechanical impact		Does not apply, since the entire switchgear needs to be evaluated.
10.2.7 Inscriptions		Meets the product standard's requirements.
10.3 Degree of protection of ASSEMBLIES		Does not apply, since the entire switchgear needs to be evaluated.
10.4 Clearances and creepage distances		Meets the product standard's requirements.
10.5 Protection against electric shock		Does not apply, since the entire switchgear needs to be evaluated.
10.6 Incorporation of switching devices and components		Does not apply, since the entire switchgear needs to be evaluated.
10.7 Internal electrical circuits and connections		Is the panel builder's responsibility.
10.8 Connections for external conductors		Is the panel builder's responsibility.

10.9 Insulation properties			
10.9.2 Power-frequency electric strength			Is the panel builder's responsibility.
10.9.3 Impulse withstand voltage			Is the panel builder's responsibility.
10.9.4 Testing of enclosures made of insulating material			Is the panel builder's responsibility.
10.10 Temperature rise			The panel builder is responsible for the temperature rise calculation. Eaton will provide heat dissipation data for the devices.
10.11 Short-circuit rating			Is the panel builder's responsibility. The specifications for the switchgear must be observed.
10.12 Electromagnetic compatibility			Is the panel builder's responsibility. The specifications for the switchgear must be observed.
10.13 Mechanical function			The device meets the requirements, provided the information in the instruction leaflet (IL) is observed.

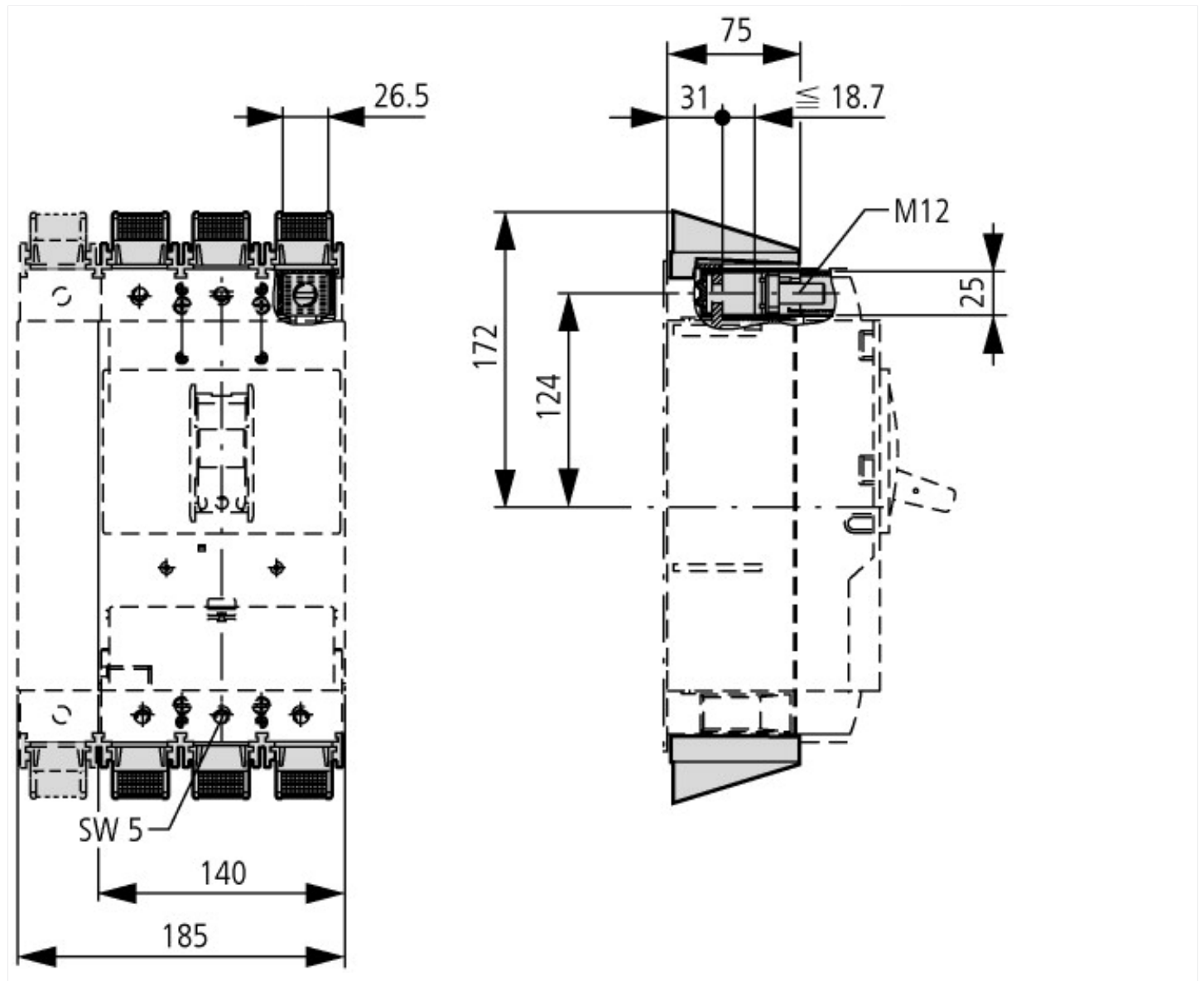
## Technical data ETIM 6.0

Low-voltage industrial components (EG000017) / Wiring set for power circuit breaker (EC002050)			
Electric engineering, automation, process control engineering / Low-voltage switch technology / Circuit breaker (LV < 1 kV) / Wiring set for circuit breaker (ecl@ss8.1-27-37-04-24 [ACN957008])			
Suitable for number of poles			3
Model			Other

## Approvals

Product Standards			UL489; CSA-C22.2 No. 5-09; IEC60947, CE marking
UL File No.			E31593
UL Category Control No.			DIHS
CSA File No.			022086
CSA Class No.			1432-01
North America Certification			UL listed, CSA certified
Suitable for			Refer to main component information

## Dimensions



## Additional product information (links)

IL01208008Z (AWA1230-1912) Box terminal block, Bolt connection

IL01208008Z (AWA1230-1912) Box terminal block, Bolt connection

[ftp://ftp.moeller.net/DOCUMENTATION/AWA\\_INSTRUCTIONS/IL01208008Z2012\\_03.pdf](ftp://ftp.moeller.net/DOCUMENTATION/AWA_INSTRUCTIONS/IL01208008Z2012_03.pdf)