




Base module, for signal tower, asi connection

Part no. **SL-B-ASI**  
 Catalog No. **222174**  
 Eaton Catalog No. **SL-B-ASI**  
 EL-Nummer **4355547**  
 (Norway)

### Delivery program

Product range			SL signal towers
Single unit/Complete unit			Element
Connection technique			Screw terminal on printed circuit boardconnection to AS-Interface
Description			With cover
<b>Colour</b>			
			Black
			
Connection to SmartWire-DT			no

#### Notes

Base module (printed circuit board in base enclosure with 3 outputs):

- Power supply completely from AS-Interface (max. 250 mA) with 2-way screw terminal
- Combination of 3 surface mounting modules with various functions (continuous-, flashing-, strobe light and acoustic indicator)
- Status LEDs
- Order surface mounting modules separately

### Technical data

#### General

Connection technique			Screw terminal on printed circuit boardconnection to AS-Interface
Addressing			through AS interface line connection
Maximum total current		mA	≤ 250
Power supply			From AS interface line only
Ambient temperature			-25 - 55
Status LEDs on the circuit-board			Status. Output Q0/function module position 1: green Status. Output Q1/function module position 2: green Status. Output Q2/function module position 3: green AS interface power line: green AS interface error, AS interface master failure: red
Profile			S-9.A.E

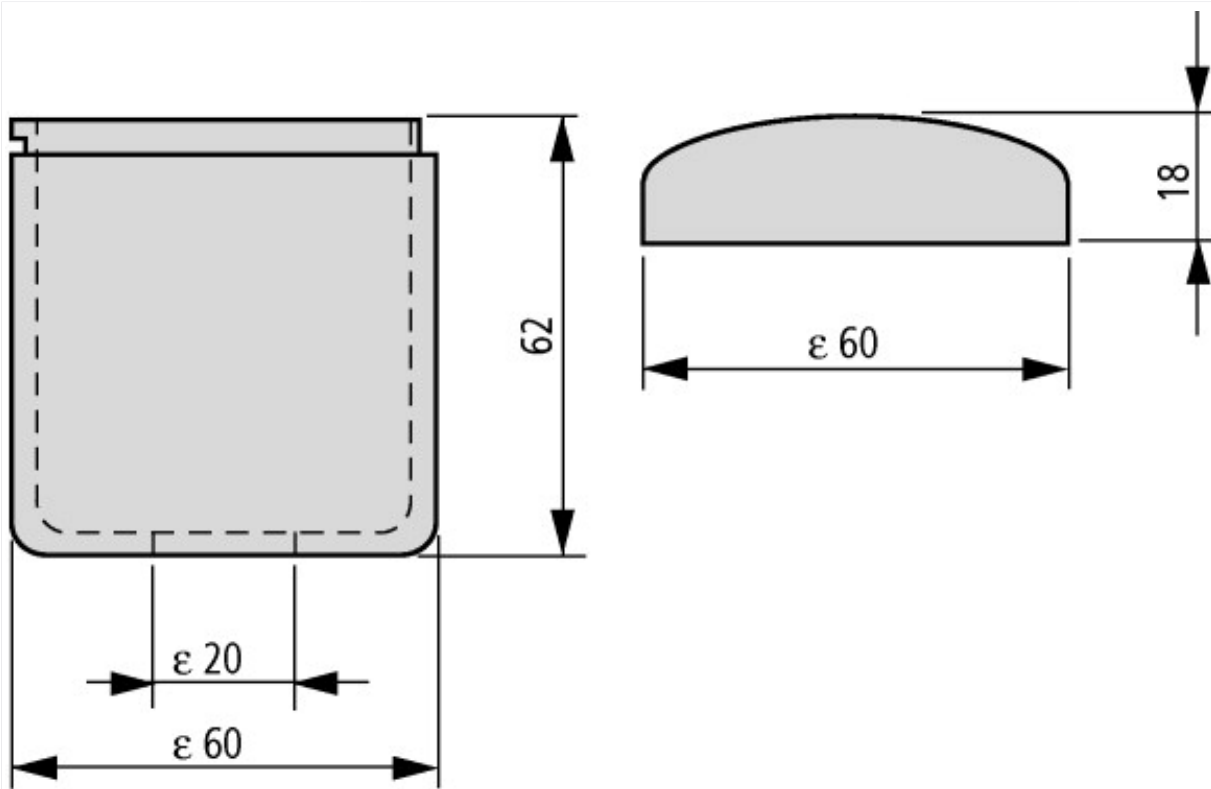
### Design verification as per IEC/EN 61439

Technical data for design verification			
Operating ambient temperature min.		°C	-25
Operating ambient temperature max.		°C	55

### Technical data ETIM 5.0

Low-voltage industrial components (EG000017) / Connection module for signal tower (EC001152)			
Electric engineering, automation, process control engineering / Low-voltage switch technology / Command and alarm device / Signal column element, connection module (ecl@ss8-27-37-12-32 [AKF050010])			
Connection type auxiliary circuit			Screw connection
Tube mounting possible			Yes
Bracket mounting possible			Yes
Floor mounting possible			Yes
Colour			Black
Suitable for AS interface			Yes

## Dimensions



Base module with cover

## Additional product information (links)

IL04716024Z (AWA1160-1685) Pillar lamps

IL04716024Z (AWA1160-1685) Pillar lamps

[ftp://ftp.moeller.net/DOCUMENTATION/AWA\\_INSTRUCTIONS/IL04716024Z2011\\_02.pdf](ftp://ftp.moeller.net/DOCUMENTATION/AWA_INSTRUCTIONS/IL04716024Z2011_02.pdf)