

FS-3A

Floatless level switch

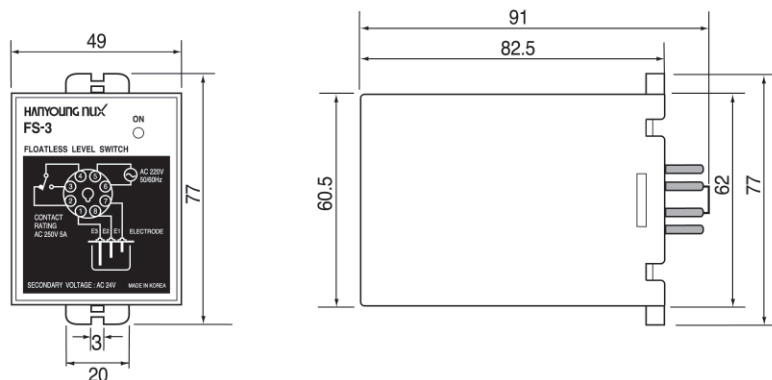
- Recommendable for water level control for irrigation, water purification
- Compact size and simple installation
- Operation state is indicated by the LED



Specification

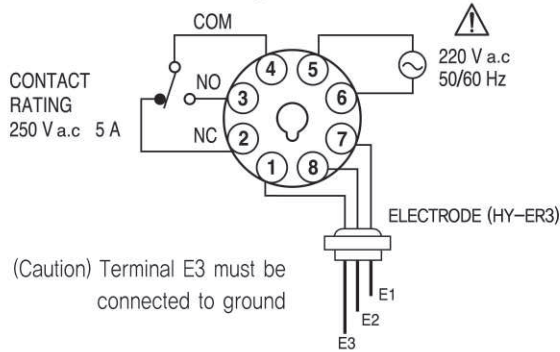
Model	FS-3 A (High sensitivity)	FS-3 A (Low sensitivity)
Power Supply Voltage	110 V AC / 220 V AC 50/60 Hz	
Allowable voltage fluctuation range	± 10 % of the power supply voltage	
Voltage between the electrodes secondary voltage	24 V AC	8 V AC
Power consumption	Approx. 3.2 VA	
Response time	Max 80 ms when operating, max 160 ms when returning	
Operation resistance between electrodes	0 – approx. 27 KΩ	0 – approx. 7 KΩ
Return resistance between electrodes	Approx. 38 KΩ – ∞Ω	Approx. 15 KΩ – ∞Ω
Control output	Relay contact output (1c) : 250 V AC 5 A (Resistive load)	
Insulation resistance	100 MΩ min (measured with 500 V DC) between electricity conduction part and exposed non-charged metal part	
Dielectric strength	2000 V AC (50 – 60 Hz) for 1 minute between the two charged terminals	
Vibration resistance	10 – 55 Hz per 1 minute, with 0.76 mm amplitude, for 2 hours in each of X, Y and z directions	
Shock resistance	300 m/s ²	
Durability	Mechanically more than 5 million times (relay type), electrically more than 500 thousand times (load resistance)	
Ambient temperature	-10 ~ 50 °C (Under the condition of no ice formation)	
Ambient humidity	35 ~ 85 % RH	

Dimension (Unit : mm)



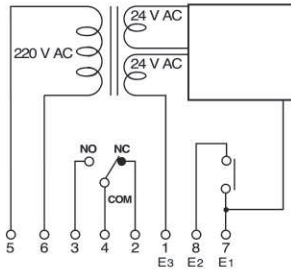
Connection diagram

External connection diagram

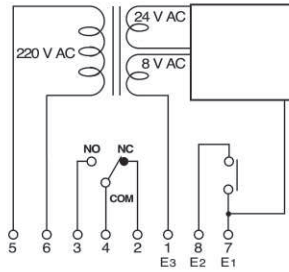


Internal connection diagram

① High sensitivity

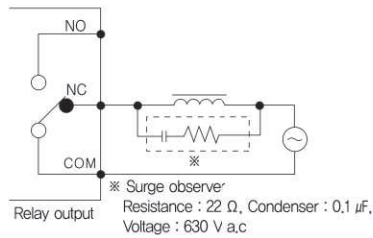


② Low sensitivity



Regarding the connection of load

Attaching the surge observer at each end of inductive load (motor, solenoid and etc) as shown on the right side will prevent noise



HY-ER3

Appearance	Dimension
	<p>91.9</p> <p>80</p> <p>Ø78</p> <p>3-Ø8.5</p> <p>THREAD PF2 PIPE THREAD</p> <p>Ø66.4</p> <p>17</p> <p>10</p> <p>27.6</p> <p>66.6</p> <p>SEPERATE COVER HOLE (← SCREW DRIVER)</p> <p>3-Ø4.8</p> <p>Ø29</p> <p>3-M3.5</p> <p>CABLE RUBBER</p> <p>3-M6XP1.0 TAP</p> <p>HEXAGONAL BRASS BAR</p> <p>(SEPERATE COVER)</p>