

How to Order?

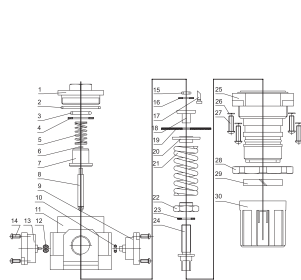
Series No.	Type code	Body size	Combination	QTY	Port size	Drain type	Pressure gauge code	Bracket code	Scale unit	Filter Precision	Thread type
EI: Square gauge series	C: Filter+regulator+lubricator W: Filter+regulator F: Filter R: Regulator L: Lubricator	20: 2000 body 30: 4000 body 40: 4000 body 50: 5000 body	10: Two units (Regulator-Lubricator) 00: Others	2000 01: 1/8" * 02: 1/4" * 3000 02: 1/4" * 03: 3/8" *	4000 03: 3/8" * 04: 1/2" * 5000 06: 3/4" * 10: 1"	Blank: Manual drain type C: Semi-auto drain D: Auto Drain type	Blank: With pressure gauge N: Without pressure gauge	Blank: With bracket J: Without bracket	1: Mpa 2: Bar *3: Psi (*Need special made)	Blank: 25 μm 5M: 5 μm	Blank: G P: PT T: NPT

Order Example:

EI series regulator, 2000 body size, 1/8 port size, with pressure gauge, Mpa pressure unit, G thread, ERP code is: EIR2000-01 1

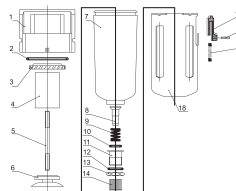
Air source treatment unit kits

EIR3000



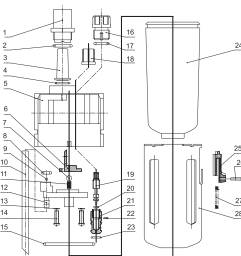
NO.	NAME	QTY	MATERIAL
30	Regulate handle	1	Reinforce nylon
29	Symbol ring	1	Reinforce nylon
28	plastic combination	1	PCOM
27	Cross screw	4	Carbon steel
26	Spring washer	4	Carbon steel
25	Regulator Body	1	Aluminum
24	Regulate bolt	1	Carbon steel
23	Washer	1	PCOM
21	Spring	1	Stainless steel
20	Diaphragm Paper	1	Carbon steel
19	Diaphragm	1	NEBR
18	Diaphragm seat	1	Brass
17	Pipe	1	NEBR
16	Retainer ring	1	Steel plate
15	O-ring	1	NEBR
14	Cross screw	4	Carbon steel
13	Plastic connection	1	PCOM
12	Steel	1	NEBR
11	Regulator body	1	Aluminum
10	Seal	1	NEBR
9	Connection	1	ABC12
8	Spool	1	Brass+NEBR
7	Valve core	1	Brass
6	Retainer ring	1	Steel plate
5	Spring	1	Stainless steel
4	Retainer ring	1	Steel plate
3	O-ring	1	NEBR
2	O-ring	1	NEBR
1	Regulator seat	1	ZZNAl4-1

EIF3000



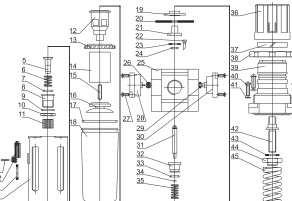
NO.	NAME	QTY	MATERIAL
18	Lock	1	ABS
17	Pin	1	Stainless steel
16	Spring	1	Stainless steel
15	Metal bowl	1	Steel plate
14	Nut	1	HP650-1
13	Hexagon Nut	1	HP650-1
12	O-ring	1	NEBR
11	Drain valve seat	1	HP650-1
9	Spring	1	Stainless steel
8	Drain valve core	1	HP650-1
7	Water cap	1	HP650-1
6	Drain board	1	ABS
5	Cross bolt	1	Carbon steel
4	Filter element	1	Cu
3	Blow	1	ABS
2	O-ring	1	NEBR
1	Filter body	1	ADC12

EIL3000

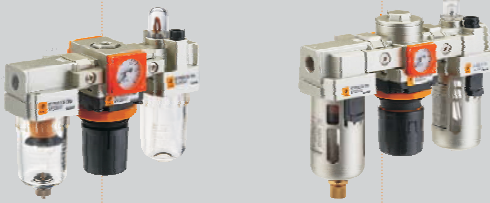
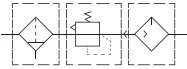


NO.	NAME	QTY	MATERIAL
28	Oil cup	1	Polycarbonate
27	Lock	1	ABS
26	Pin	1	ABS
25	Spring	1	Stainless steel
24	Metel bowl	1	Steel plate
23	O-ring	1	NEBR
22	Pin	1	Q235
21	Oil regulate seat	1	HP650-1
20	O-ring	1	NEBR
19	Oil regulate handle	1	HP650-1
18	Oil regulate pointer	1	ABS
17	O-ring	1	NEBR
16	Pin	1	ABS
15	O-ring	1	NEBR
14	Cross screw	2	Q235
13	Spring washer	2	65Mn
12	Cross valve plate	1	Stainless steel
11	Spring	1	Stainless steel
10	PU tube	1	PU tube
9	Steel ball	1	ABS
8	O-ring	1	NEBR
7	Steel ball	1	Q235
6	Need	1	Polycarbonate
5	Lubricator body	1	ADC12
4	O-ring	1	NEBR
3	Oil ring tube	1	Polycarbonate
2	O-ring	1	NEBR
1	Oil window	1	Polycarbonate

EIW3000



NO.	NAME	QTY	MATERIAL
45	Spring	1	Carbon steel
44	Regulate nut	1	Carbon steel
43	Washer	1	PCOM
42	Regulate bolt	1	Carbon steel
41	Spring washer	4	Carbon steel
40	Cross screw	4	Carbon steel
39	Valve cover	1	Reinforce nylon
38	Nut	1	Reinforce nylon
37	Symbol ring	1	Reinforce nylon
36	Regulate handle	1	Reinforce nylon
35	Spring	1	Stainless steel
34	Retainer	1	Steel plate
33	O-ring	1	NEBR
32	Valve core	1	Brass
31	Spool	1	HP650-1+NEBR
30	connection	1	ABC12
29	Seal	1	NEBR
28	Wash connection	1	Carbon steel
27	Cross screw	4	Carbon steel
26	Seal	1	PCOM
25	Regulator body	1	Aluminum
24	O-ring	1	NEBR
23	Retainer ring	1	Carbon steel
22	Pipe	1	PCOM
21	Diaphragm seat	1	Brass
20	Diaphragm	1	NEBR
19	Diaphragm Paper	1	Carbon steel
18	Water cap	1	Polycarbonate
17	O-ring	1	NEBR
16	Drain board	1	ABS
15	Bolt	1	Carbon steel
14	Filter element	1	Brass
13	Filter element	1	ABS
12	Drain valve seat	1	ZZNAl4-1
11	Blow guard	1	Carbon steel
10	Spring	1	Stainless steel
9	Lock	1	Brass
8	Pin	1	ABS
7	Nut	1	Brass
6	New Nut	1	Brass
5	O-ring	1	NEBR
4	Drain valve	1	Brass
3	O-ring	1	NEBR
2	Spring	1	Stainless steel
1	Valve core	1	Brass



Specifications

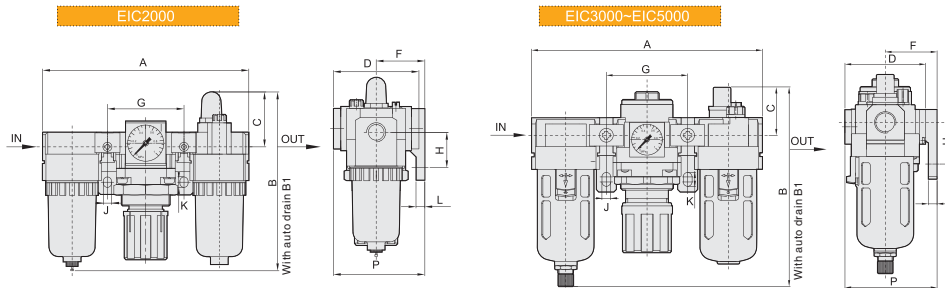
Model	EIC2000	EIC3000	EIC4000	EIC5000
Guaranteed pressure resistance (MPa)	1.5			
Max. working pressure (MPa)	1.0			
Working temperature (°C)	5-60			
Filter precision	40µm(5 µm is optional)			
Recommended oil	Turbine No.1 Oil ISOVG32			
Bowl material	Polycarbonate			
Bowl guard	None	Available		
Pressure adjusting range (MPa)	0.15-0.85			
Valve type	With overflow			

Model	Specifications				* Rated flow (L/min)	** Port size (G)
	Filter	Assembly Regulator	Lubricator			
EIC2000-01	EIF2000	EIR2000	EIL2000	1000	1/8	
EIC2000-02				1100	1/4	
EIC3000-02	EIF3000	EIR3000	EIL3000	1950	1/4	
EIC3000-03				2105	3/8	
EIC4000-03				4950	3/8	
EIC4000-04	EIF4000	EIR4000	EIL4000	5200	1/2	
EIC5000-06	EIF5000	EIR5000	EIL5000	6200	3/4	
EIC5000-10				6500	1	

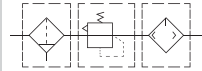
* The above information is based on 8.0 Bar supply pressure and 6.3 Bar set pressure

* NPT,PT port size is optional

Main Dimensions (mm)



Model	Port Size (G)	A	B	B1	C	D	F	G	H	J	K	L	P
EIC2000	1/8"-1/4"	140	122	160	38	54	30	50	24	5.5	8.5	5	57
EIC3000	1/4"-3/8"	184	156.5	170	38	64	41	65	35	7	11	7	71
EIC4000	3/8"-1/2"	238	191.5	194.5	41	80	50	84	40	9	13	7	88
EIC5000	3/4"-1"	300	271.5	274.5	48	90	69.8	105	50	12	16	10.5	115



Specifications

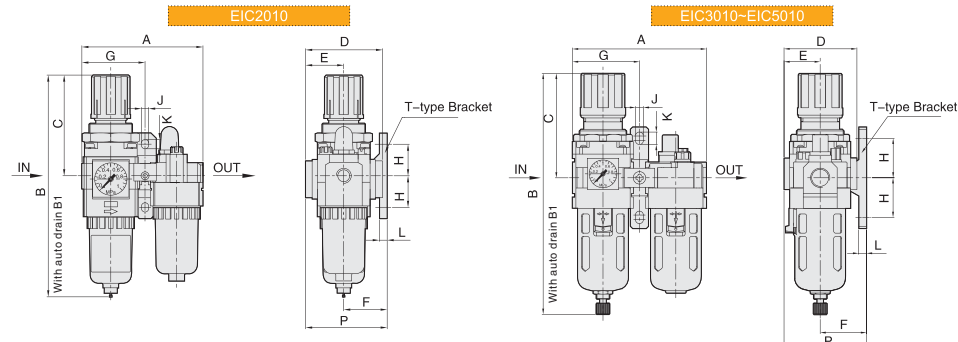
Model	EIC2010	EIC3010	EIC4010	EIC5010
Guaranteed pressure resistance (MPa)	1.5			
Max. working pressure (MPa)	1.0			
Working temperature (°C)	5-60			
Filter precision	40µm(5 µm is optional)			
Recommended oil	Turbine No.1 Oil ISOVG32			
Bowl material	Polycarbonate			
Bowl guard	None	Available		Available
Pressure adjusting range (MPa)	0.15-0.85			
Valve type	With overflow			

Model	Specifications		* Rated flow (L/min)	** Port size (G)
	Filter with pressure reducer	Lubricator		
EIC2010-01	EIW2000	EIL2000	945	1/8
EIC2010-02			960	1/4
EIC3010-02	EIW3000	EIL3000	1874	1/4
EIC3010-03			1956	3/8
EIC4010-03			4923	3/8
EIC4010-04	EIW4000	EIL4000	5120	1/2
EIC5010-06			6000	3/4
EIC5010-10	EIW5000	EIL5000	6200	1

* The above information is based on 8.0 Bar supply pressure and 6.3 Bar set pressure

* NPT,PT port size is optional

Main Dimensions (mm)

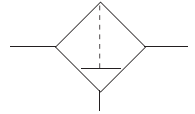


Model	Port Size (G)	A	B	B1	C	D	E	F	G	H	J	K	L	P
EIC2010	1/8"-1/4"	90	167.5	205.5	80.2	54	27	30	45	24	5.5	8.5	5	57
EIC3010	1/4"-3/8"	118	211	224.5	92.5	64	32	41	59.5	35	7	11	7	73
EIC4010	3/8"-1/2"	154	262	265	112	80	40	50	77	40	9	13	7	90
EIC5010	3/4"-1"	195	338	341	116	94	47	69.8	97.5	50	12	16	10.5	117

EIF Series Air Source Treatment Unit



EIF series 3.06



Specifications

Model	EIF2000	EIF3000	EIF4000	EIF5000
Guaranteed pressure resistance (MPa)			1.5	
Max. working pressure (MPa)			1.0	
Working temperature (°C)			5-60	
Filter precision			40µm(5 µm is optional)	
Bowl material			Polycarbonate	
Bowl guard	None		Available	
Entrance pressure (MPa)			0.15-1.0	

Model	Specifications			Drain function	Auto drain model
	Rated flow (L/min)	Port size (G)	Bowl capacity (cm ³)		
EIF2000-01	1222	1/8	15	Manual drain	EIF2000-01D
EIF2000-02	1278	1/4			EIF2000-02D
EIF3000-02	2006	1/4	20	a.Zero pressure drain b.Manual drain	EIF3000-02D
EIF3000-03	2148	3/8			EIF3000-03D
EIF4000-03	5120	3/8	45		EIF4000-03D
EIF4000-04	5430	1/2			EIF4000-04D
EIF5000-06	8200	3/4	130		EIF5000-06D
EIF5000-10	8500	1			EIF5000-10D

* The above information is based on 6.3 Bar supply pressure and 1.0 Bar set pressure

* NPT,PT port size is optional

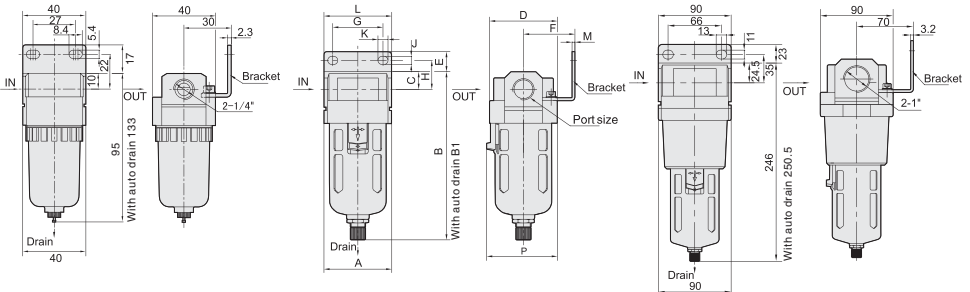
3

Main Dimensions (mm)

EIF2000

EIF3000-EIF4000

EIF5000

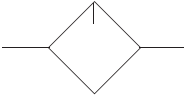


Model	Port Size (G)	A	B	B1	C	D	E	F	G	H	J	K	L	M	P
EIF3000	1/4"-3/8"	53	132.5	146	14	54	16	41	40	23	6.5	8	53	2.3	56
EIF4000	3/8"-1/2"	70	168.5	171.5	18	70	17	50	54	26	8.5	10.5	70	2.3	73



EIL Series Air Source Treatment Unit

3.07 EIL series



Specifications

Model	EIL2000	EIL3000	EIL4000	EIL5000
Guaranteed pressure resistance(MPa)	1.5			
Max. working pressure(MPa)	1.0			
Working temperature(°C)	5-60			
Recommended oil	Turbine No.1 Oil ISOVG32			
Bowl material	Polycarbonate			
Bowl guard	None	Available		
Entrance pressure(MPa)	0.15-1.0			

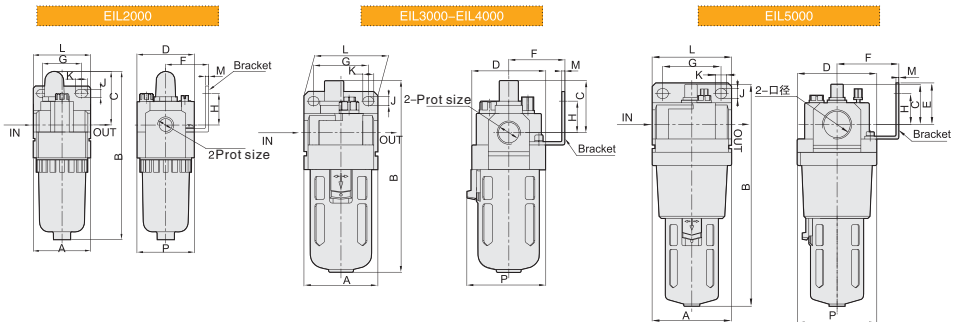
Model	Specifications			
	* Minimal flow of oil drop(L/min)	* Rated flow (L/min)	* Port size(G)	Bowl capacity (cm ³)
EIL2000-01	15	1300	1/8	25
EIL2000-02		1345	1/4	
EIL3000-02	30	2310	1/4	50
EIL3000-03	40	2375	3/8	
EIL4000-03	40	5321	3/8	130
EIL4000-04	50	5532	1/2	
EIL5000-06	190	7700	3/4	130
EIL5000-10		8000	1	

* The above information is based on 5.1Bar supply pressure, the flow of oil drop is 2~3 drops/ min, the temperature of Turbine No.1 oil is 20°C

* The above information is based on 5.1Bar supply pressure and 0.3Bar step down

* NPT,PT port size is optional

Main Dimensions (mm)

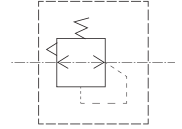


Model	Port Size (G)	A	B	C	D	F	G	H	J	K	L	M	P
EIL2000	1/8"-1/4"	40	115	36	40	30	27	23	5.4	8.4	40	2.3	40
EIL3000	1/4"-3/8"	54	141	38	54	41	40	23	6.5	8	53	2.3	56
EIL4000	3/8"-1/2"	70	177	41	70	50	54	26	8.5	10.5	70	2.3	73
EIL5000	3/4"-1"	90	251	45.5	90	66.5	66	35	11	13	90	3.2	90

EIR Series Air Source Treatment Unit



EIR series 3.08



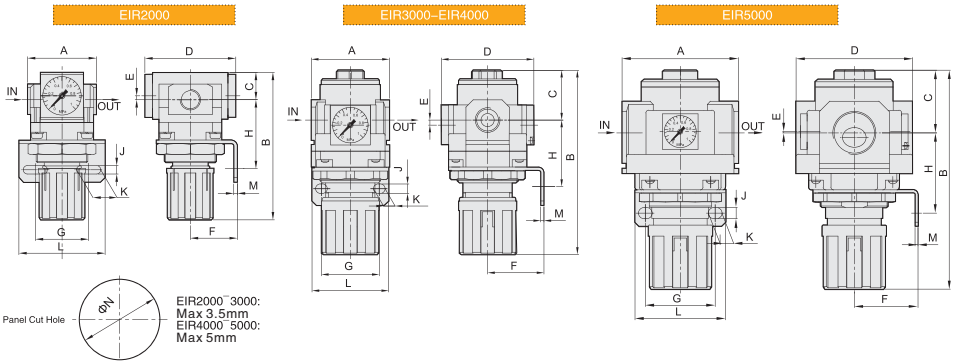
Specifications

Model	EIR2000	EIR3000	EIR4000	EIR5000
Guaranteed. pressure resistance(MPa)	1.5			
Max. working pressure(MPa)	1.0			
Working temperature(°C)	5-60			
Pressure adjusting range(MPa)	0.05-0.85			
Valve type	With overflow			

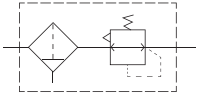
Model	Specifications	
	Rated flow (L/min)	Port Size (G)
EIR2000-01	1178	1/8
EIR2000-02	1200	1/4
EIR3000-02	2112	1/4
EIR3000-03	2212	3/8
EIR4000-03	5020	3/8
EIR4000-04	5312	1/2
EIR5000-06	6400	3/4
EIR5000-10	6600	1

* The above information is based on 8.0 Bar supply pressure and 6.3 Bar set pressure * NPT,PT port size is optional

Main Dimensions (mm)



Model	Port Size (G)	A	B	C	D	E	F	G	H	J	K	L	M	N
EIR2000	1/8"-1/4"	40	95	17	55	1.3	30	34	44	5.4	15.4	55	2.3	33.5
EIR3000	1/4"-3/8"	53	127.5	35	64	3	39	40	46	6.5	8	53	2.3	42.5
EIR4000	3/8"-1/2"	70	149.5	37	81	0	49.2	54	54	8.5	10.5	70	2.3	52.5
EIR5000	3/4"-1"	90	168	48	90	1	49.2	54	62	8.5	10.5	70	2.3	52.5



Specifications

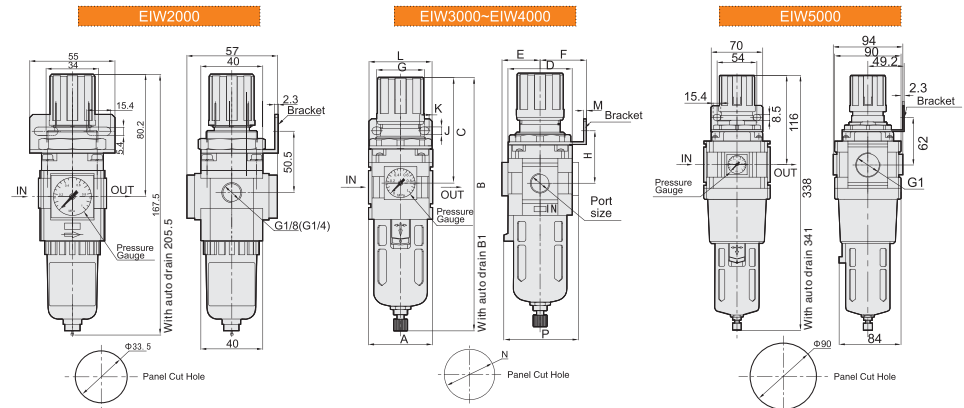
Model	EIW2000	EIW3000	EIW4000	EIW5000
Guaranteed pressure resistance(MPa)			1.5	
Max. working pressure(MPa)			1.0	
Working temperature(°C)			5-60	
Filter precision			40µm (5 µm is optional)	
Bowl material			Polycarbonate	
Bowl guard	None		Available	
Pressure adjusting range(MPa)			0.15-0.85	
Valve type			With overflow	

Model	Specifications		Drain function	Auto drain model
	• Rated flow (L/min)	• Port size(G)		
EIW2000-01	1078	1/8	Manual drain	EIW2000-01D
EIW2000-02	1165	1/4		EIW2000-02D
EIW3000-02	1998	1/4	a. Zero pressure drain b. Manual drain	EIW3000-02D
EIW3000-03	2177	3/8		EIW3000-03D
EIW4000-03	5108	3/8		EIW4000-03D
EIW4000-04	5211	1/2		EIW4000-04D
EIW5000-06	6200	3/4		EIW5000-06D
EIW5000-10	6400	1		EIW5000-10D

* The above information is based on 8.0 Bar supply pressure and 6.3 Bar set pressure

* NPT,PT port size is optional

Main Dimensions (mm)



Model	Port Size (G)	A	B	B1	C	D	E	F	G	H	J	K	L	M	N	P
EIW3000	1/4"-3/8"	54	211	224.5	92.5	54	32	39	40	45	6.5	8	53	2.3	42.5	63
EIW4000	3/8"-1/2"	70	262	265	112	70	42	49.2	54	53.5	8.5	10.5	70	2.3	52.5	74