

Airbrator – The Air Pad with Both Aeration and Vibration

Using a combination of both aeration and vibration, the Airbrator helps solve some of the most difficult material flow applications. Its special design creates a vibration as the air flows between the Airbrator pad's boot and the bin wall. Appropriate for use in any type of bin or silo, the Airbrator is extremely economical, quite easy to install, offers durable construction and is self-cleaning.

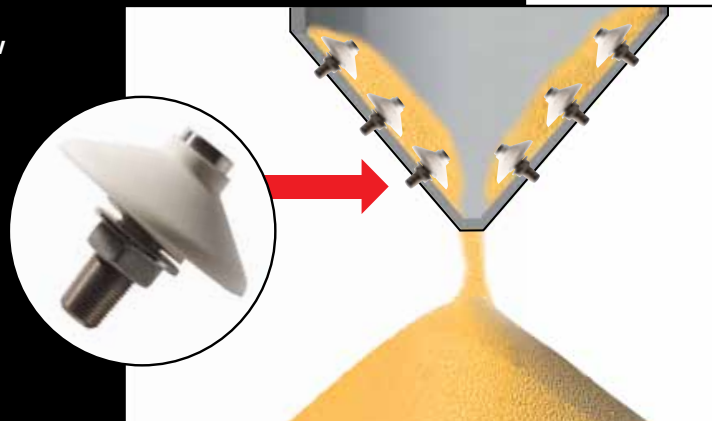


Solves Material Flow Problems in Bins and Silos

The Airbrator is a very effective flow aid for many types of dry materials such as flyash, cement, flour, lime, sands and salt – as well as many other difficult granular or powder bulk solid materials – and can even be used with abrasive materials. Airbrator features a stainless steel shaft and can be used in food-grade applications. As an added benefit, Airbrator pads do not require a specific air pressure for operation. It can use high or low pressure blower air from as low as 5 PSIG to as high as 60 PSIG.

Airbrator Features

- Vibratory action promotes material flow
- Can be used in any type of silo or bin
- Affordable and economical
- Stainless steel shaft
- Easy to install
- Self-cleaning
- Built-in check valve
- Durable construction
- Rated up to 400° F
- Uses low or high pressure air
- Suitable for abrasive materials
- For granular or powdered materials
- Appropriate for food grade applications

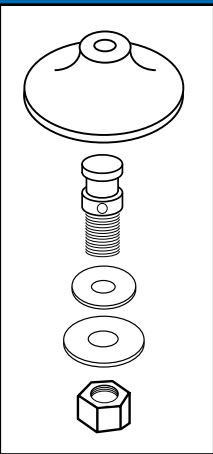


Airbrator Air Pad

BINMASTER®

Airbrator Solves Flow Problems

The Airbrator air pad is designed to help dry granular and powdered bulk material that tends to hang up or bridge to consistently flow from silos and bins. Multiple Airbrators can be installed at strategic locations inside the lower cone of the bin along areas where material tends to stick or bridge. By combining both aeration and vibration, the Airbrator can resolve some of the more difficult material flow applications that aeration alone cannot.

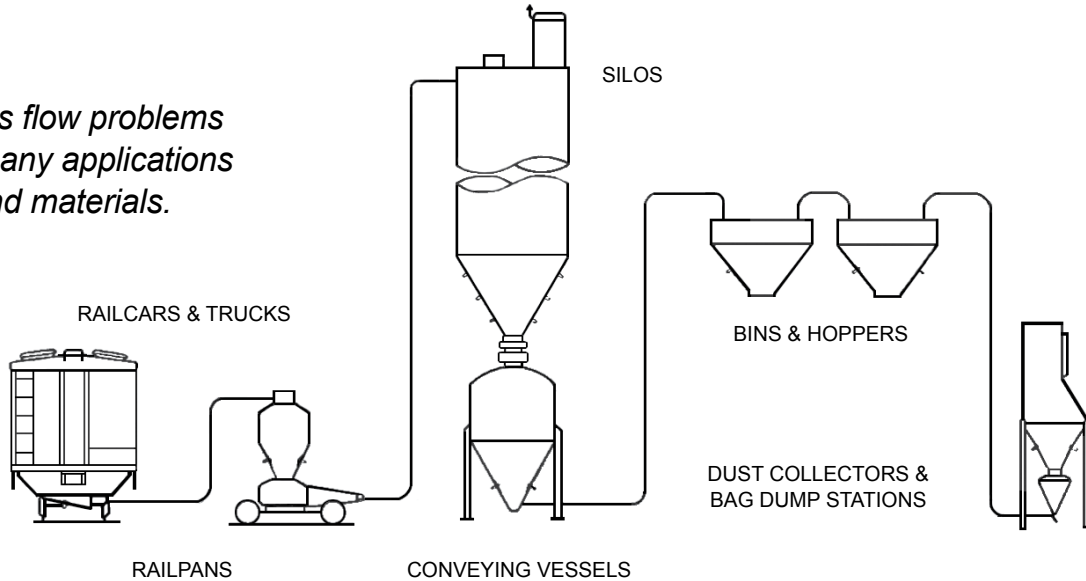


PARTS DESCRIPTION

1. White Silicone rated at 400° F or Neoprene Pad rated at 250° F
2. 303 SS Stud
3. White Sealing Washer
4. 7/8" Flat Washer
5. 7/8" -14 UNF Hex Nut

The special design creates a vibration as the air flows between the Airbrator's boot and the bin wall. This provides a very effective flow aid for all types of dry products. Plus, Airbrator pads do not require a specific air pressure for operation. Blower air from as low as 5 PSIG to high pressure air up to 60 PSIG can be used with the Airbrator.

Solves flow problems with many applications and materials.



Suitable for Granular or Powdered Materials

Alumina	Flyash
Ash	Flour
Bag House Dust	Fluorspar
Barlite	Gypsum
Bentonite	Lime
Carbon Black	Perlite
Cement	PVC Resin
Clay	Salt
Calcium Carbonate	Sand
Cornstarch	Soda Ash
Cement Clinker	Soap Powder
Diatomaceous Earth	Talc